



US006979316B1

(12) **United States Patent**  
**Rubin et al.**

(10) **Patent No.:** **US 6,979,316 B1**  
(45) **Date of Patent:** **Dec. 27, 2005**

(54) **APPARATUS AND METHOD FOR RAPID AUTO-INJECTION OF MEDICATION**

(75) Inventors: **Keith H. Rubin**, Ft Lauderdale, FL (US); **James M. Sellers**, Salem, NH (US); **Haydn B. Taylor**, Nashua, NH (US)

(73) Assignee: **Seedlings Life Science Ventures LLC**, New York, NY (US)

(\*) Notice: Subject to any disclaimer, the term of this patent is extended or adjusted under 35 U.S.C. 154(b) by 0 days.

(21) Appl. No.: **10/154,202**

(22) Filed: **May 23, 2002**

(51) **Int. Cl.**<sup>7</sup> ..... **A61M 5/20**; A61M 5/00; A61M 37/00

(52) **U.S. Cl.** ..... **604/156**; 604/131; 604/141; 604/181; 604/132

(58) **Field of Search** ..... 604/131-138, 604/198, 185-189, 232, 139, 141-156, 246-249, 167.01-167.05, 19, 48, 65, 93.01, 140, 173-174, 157, 197, 201, 811, 110, 181

(56) **References Cited**

**U.S. PATENT DOCUMENTS**

1,288,174 A	12/1918	Pittenger et al.
2,408,323 A	9/1946	Lockhart et al.
2,576,951 A	12/1951	Lockhart
2,589,426 A	3/1952	Ogle
2,605,765 A	8/1952	Kollsman
2,667,164 A	1/1954	Smith
2,667,165 A	1/1954	Smith
2,769,443 A	11/1956	Dunmire
2,871,856 A	2/1959	Steiner et al.
2,880,723 A	4/1959	Adams
3,082,681 A	3/1963	Petersen
3,238,784 A	3/1966	Dorsey et al.
3,306,290 A	2/1967	Weltman
3,391,695 A	7/1968	Sarnoff
3,469,578 A	9/1969	Bierman

3,496,937 A	2/1970	Balson
3,506,005 A	4/1970	Gilio et al.
3,507,278 A	4/1970	Werding
3,563,373 A	2/1971	Paulson
3,587,575 A	6/1971	Lichtenstein
3,677,444 A	7/1972	Merrill
3,702,609 A	11/1972	Steiner
3,712,301 A	1/1973	Sarnoff
3,882,863 A	5/1975	Sarnoff et al.

(Continued)

**FOREIGN PATENT DOCUMENTS**

EP	0258073	3/1988
EP	0388169	3/1990
WO	WO89/12473	12/1989
WO	WO95/13838	5/1995
WO	WO97/10012	3/1997
WO	WO97/21457	6/1997
WO	WO 01/93926 A2	12/2001
WO	WO02/32287	4/2002

*Primary Examiner*—Nicholas D. Lucchesi

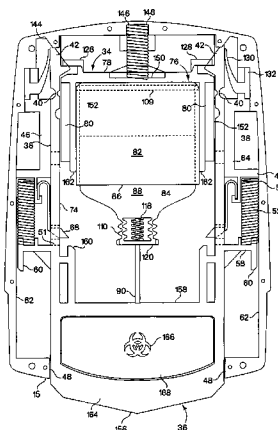
*Assistant Examiner*—Roz Maiorino

(74) *Attorney, Agent, or Firm*—Kirkpatrick & Lockhart  
Nicholson Graham LLP

(57) **ABSTRACT**

An auto-injector for rapid delivery of a bolus of injectable medication has a generally flat, sealed housing with small peripheral dimensions, approximating those of a credit card. A syringe, configured to be contained within the flat housing is pre-filled with the medication. The housing contains a mechanism that, when triggered, automatically drives the syringe and needle forwardly to an injection position and then continues to compress the volume of the syringe to effect rapid injection. The forward injection end of the device includes an actuator that also conceals and protects the needle at all times and, prevents post-injection hazards. The flat faces of the device have graphic symbols and other visual indicia relating to the operation and condition of the device. The device enables a simple three-step operation that reduces the risk of improper use.

**45 Claims, 25 Drawing Sheets**



U.S. PATENT DOCUMENTS

3,941,131 A	3/1976	Ogle	5,201,718 A	4/1993	Whisson	
4,013,073 A	3/1977	Cunningham	5,205,820 A	4/1993	Kriesel	
4,031,893 A	6/1977	Kaplan et al.	5,248,303 A	9/1993	Margolin	
4,044,758 A	8/1977	Patel	5,267,963 A	12/1993	Bachynsky	
4,188,950 A	2/1980	Wardlaw	5,273,544 A	12/1993	van der Wal	
4,193,397 A	3/1980	Tucker et al.	5,279,558 A	1/1994	Kriesel	
4,194,505 A	3/1980	Schmitz	5,286,258 A	2/1994	Haber et al.	
4,196,732 A	4/1980	Wardlaw	5,318,557 A	6/1994	Gross	
4,201,207 A	5/1980	Buckles et al.	5,320,609 A	6/1994	Haber et al.	
4,214,584 A	7/1980	Smirnov et al.	5,334,197 A	8/1994	Kriesel et al.	
4,227,528 A	10/1980	Wardlaw	5,336,188 A	8/1994	Kriesel	
4,258,713 A	3/1981	Wardlaw	5,342,320 A	8/1994	Cameron	
4,270,533 A	6/1981	Andreas	5,391,151 A	2/1995	Wilmot	
4,282,986 A	8/1981	Ekenstam et al.	5,398,851 A	3/1995	Sancoff et al.	
4,340,048 A	7/1982	Eckenhoff	5,419,771 A	5/1995	Kriesel	
4,373,527 A	2/1983	Fischell	5,425,722 A	6/1995	Whisson	
4,378,015 A	3/1983	Wardlaw	5,451,210 A	9/1995	Kramer et al.	
4,386,929 A	6/1983	Peery et al.	5,468,226 A	11/1995	Kriesel	
4,419,096 A	12/1983	Leeper et al.	5,478,324 A	12/1995	Meyer	
4,548,601 A	10/1985	Lary	5,492,533 A	2/1996	Kriesel	
4,553,962 A	11/1985	Brunet	5,498,245 A	3/1996	Whisson	
4,619,652 A	10/1986	Eckenhoff et al.	5,527,287 A	6/1996	Miskinyar	
4,645,495 A	2/1987	Vaillancourt	5,540,664 A	7/1996	Wyrick	
4,692,151 A	9/1987	Blackman	5,551,849 A	9/1996	Christiansen	
4,728,320 A	3/1988	Chen et al.	5,569,192 A	10/1996	van der Wal	
4,734,092 A	3/1988	Millerd	5,616,132 A	* 4/1997	Newman	604/185
4,741,733 A	5/1988	Winchell et al.	5,656,032 A	8/1997	Kriesel et al.	
4,747,831 A	5/1988	Kulli	5,693,018 A	12/1997	Kriesel et al.	
4,753,651 A	6/1988	Eckenhoff	5,704,520 A	1/1998	Gross	
4,767,413 A	8/1988	Haber	5,709,668 A	1/1998	Wacks	
4,769,008 A	9/1988	Hessel	5,738,657 A	4/1998	Bryant	
4,772,263 A	9/1988	Dorman	5,743,879 A	4/1998	Kriesel	
4,781,688 A	11/1988	Thoma et al.	5,776,103 A	7/1998	Kriesel et al.	
4,813,426 A	3/1989	Haber et al.	5,779,676 A	7/1998	Kriesel et al.	
4,850,961 A	7/1989	Wanderer	5,785,688 A	7/1998	Joshi et al.	
4,883,473 A	11/1989	Thomas	5,820,602 A	10/1998	Kovelman et al.	
4,886,499 A	12/1989	Cirelli et al.	5,865,804 A	2/1999	Bachynsky	
4,894,054 A	1/1990	Miskinyar	5,921,966 A	7/1999	Bendek	
4,900,310 A	2/1990	Ogle	5,957,895 A	9/1999	Sage et al.	
4,909,790 A	3/1990	Tsujikawa et al.	5,957,896 A	9/1999	Bendek et al.	
4,955,871 A	9/1990	Thomas	5,984,900 A	11/1999	Mikkelsen	
4,994,042 A	2/1991	Vadher	6,086,562 A	7/2000	Jacobsen et al.	
5,019,047 A	5/1991	Kriesel	6,149,626 A	* 11/2000	Bachynsky et al.	604/134
5,019,048 A	5/1991	Margolin	6,159,181 A	12/2000	Crossman et al.	
5,061,249 A	10/1991	Campbell	6,171,276 B1	1/2001	Lippe et al.	
5,062,834 A	11/1991	Gross et al.	6,210,369 B1	4/2001	Wilmot et al.	
5,080,648 A	1/1992	D'Antonio	6,221,044 B1	4/2001	Greco	
5,085,641 A	2/1992	Sarnoff et al.	6,241,709 B1	6/2001	Bechtold et al.	
5,102,393 A	4/1992	Sarnoff et al.	6,270,479 B1	8/2001	Bergens et al.	
5,122,116 A	6/1992	Kriesel et al.	6,293,925 B1	9/2001	Safabash	
5,167,632 A	12/1992	Eld et al.	6,319,234 B1	11/2001	Restelli et al.	
5,169,389 A	12/1992	Kriesel	6,530,900 B1	* 3/2003	Daily et al.	604/132
5,176,643 A	1/1993	Kramer et al.	6,595,956 B1	* 7/2003	Gross et al.	604/141

\* cited by examiner

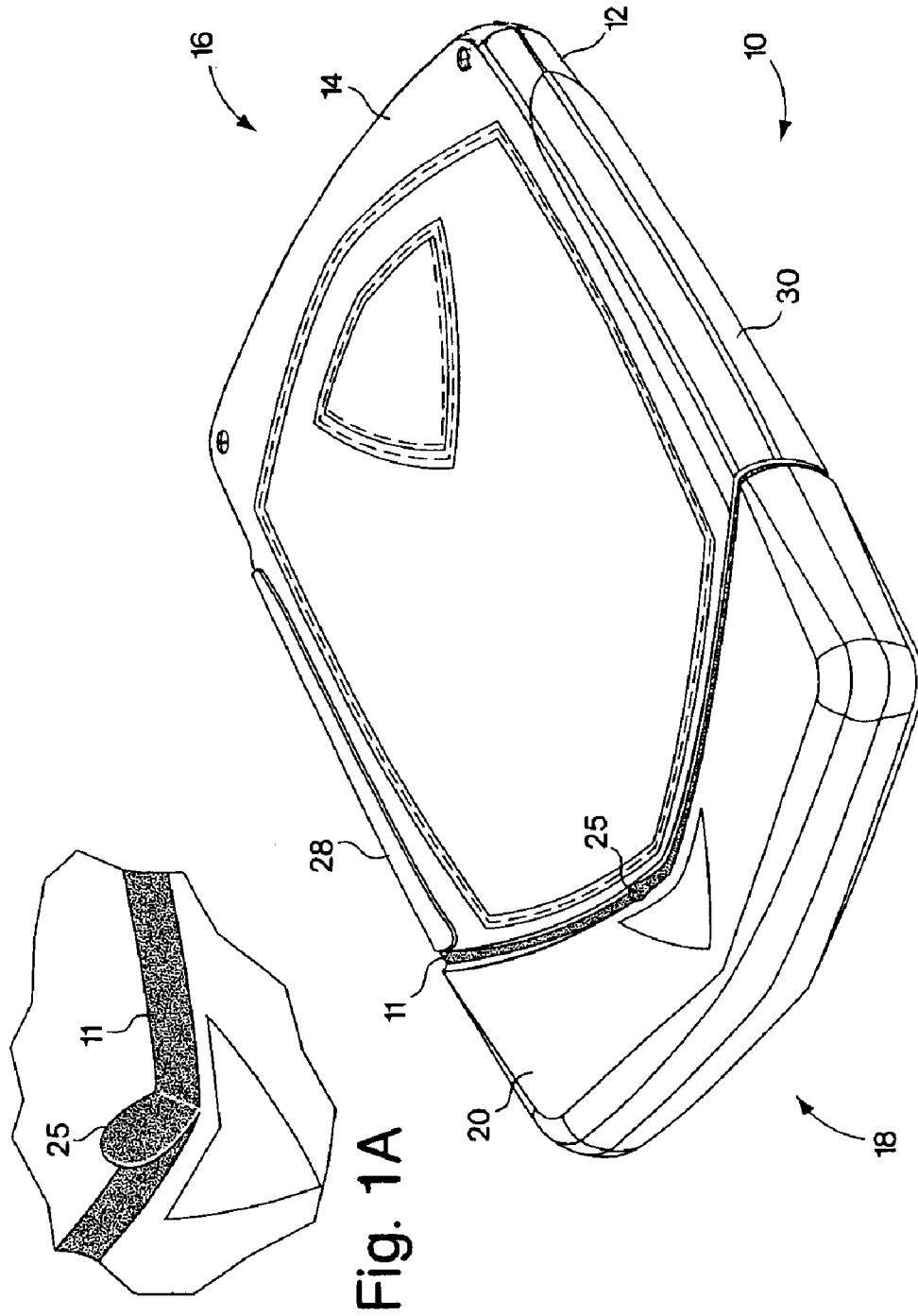


Fig. 1

Fig. 1A

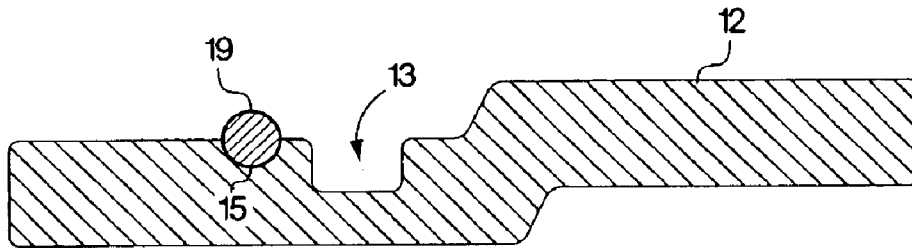


Fig. 1B

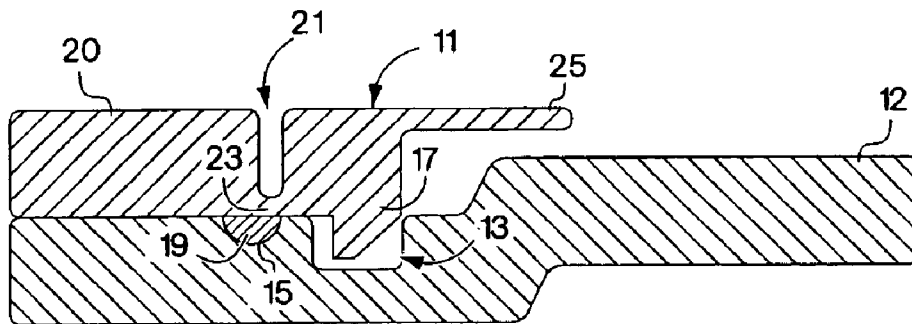


Fig. 1C

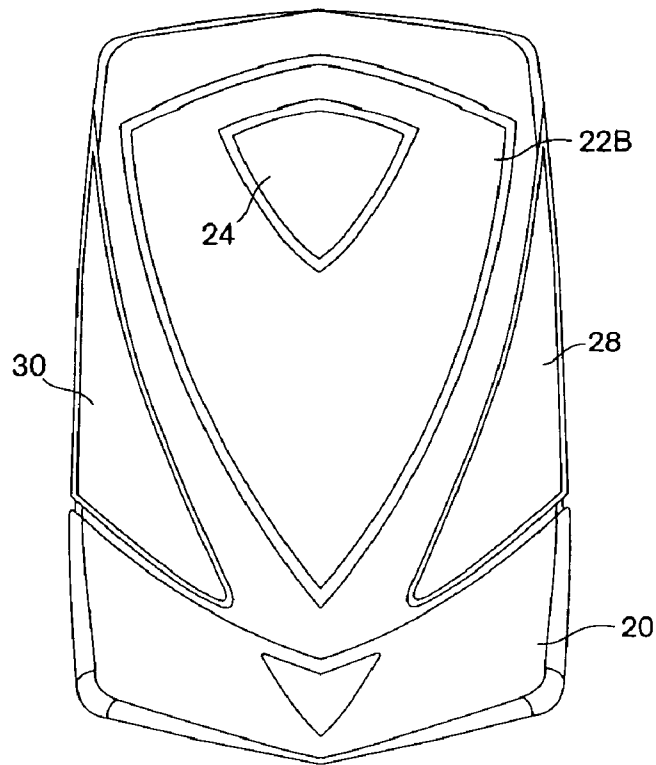


Fig. 2

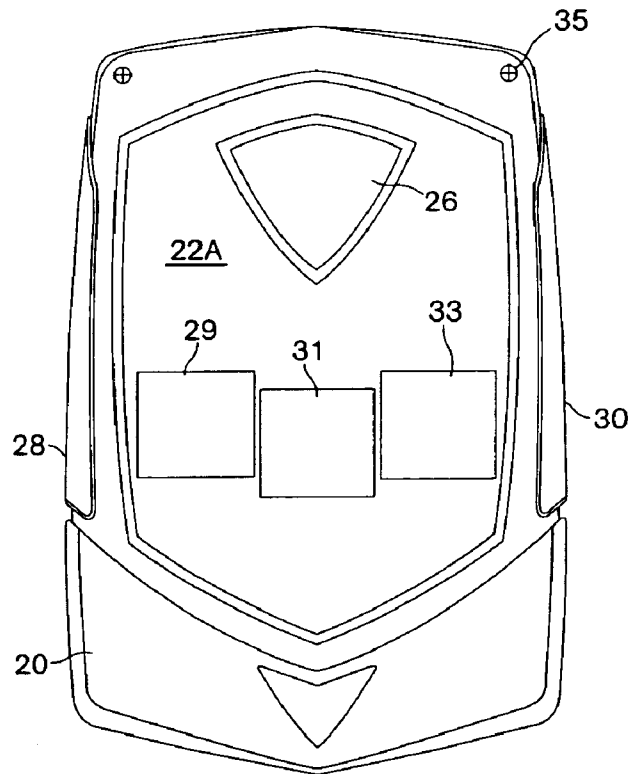


Fig. 3

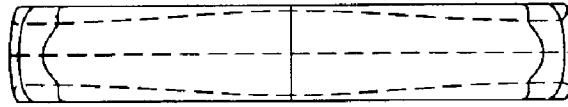


Fig. 4

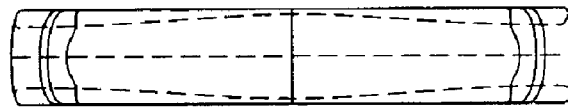


Fig. 5

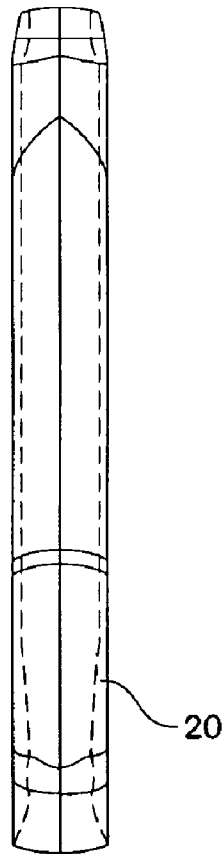


Fig. 6



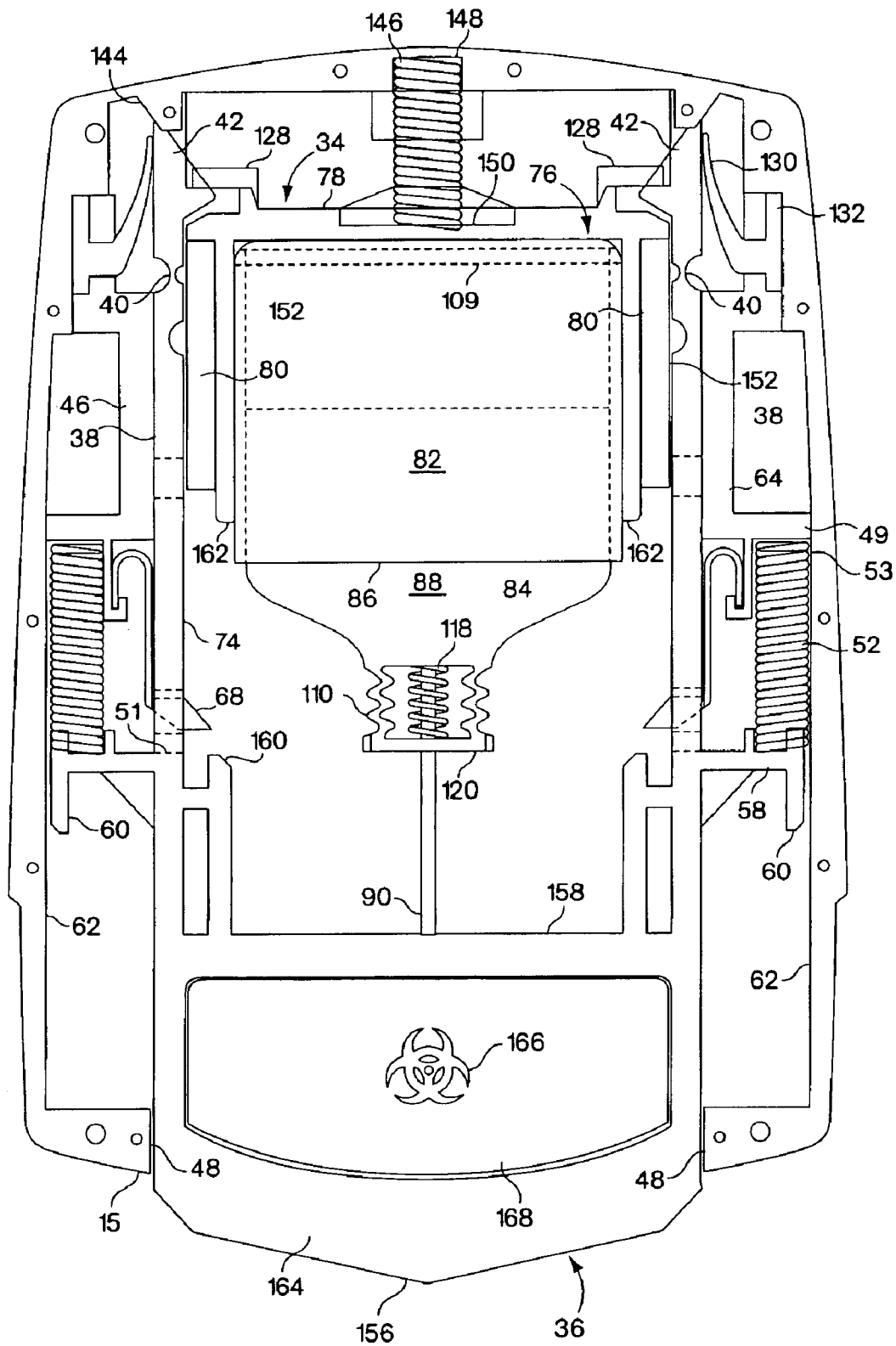


Fig. 8



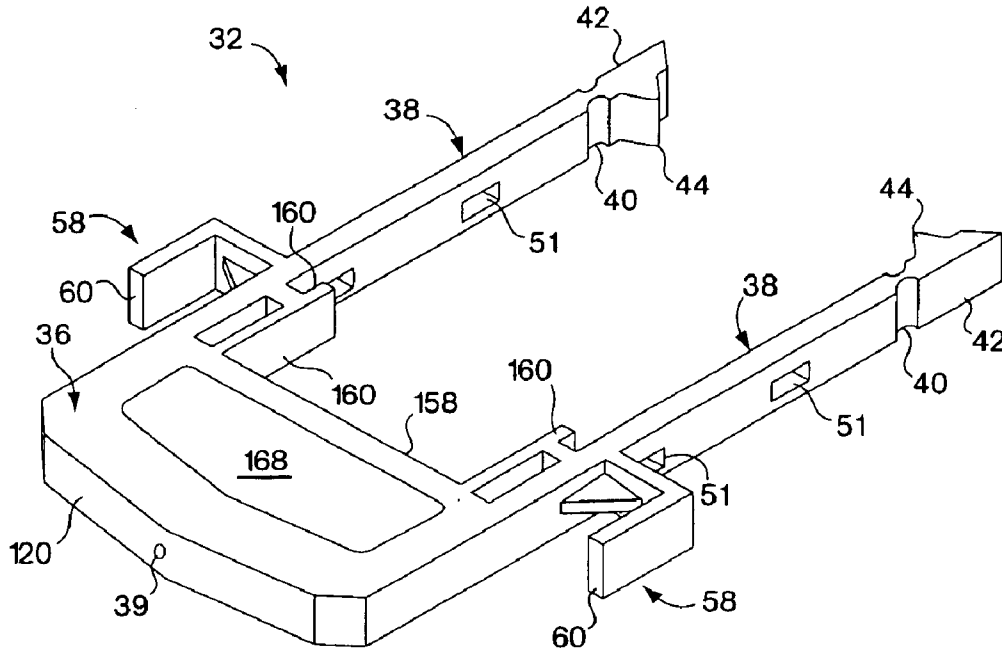


Fig. 9

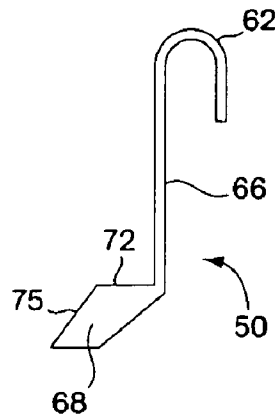


Fig. 10

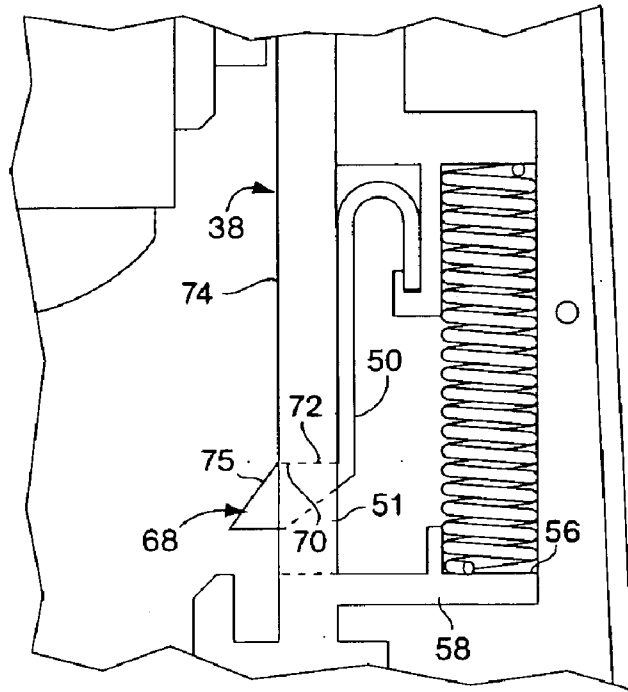


Fig. 11

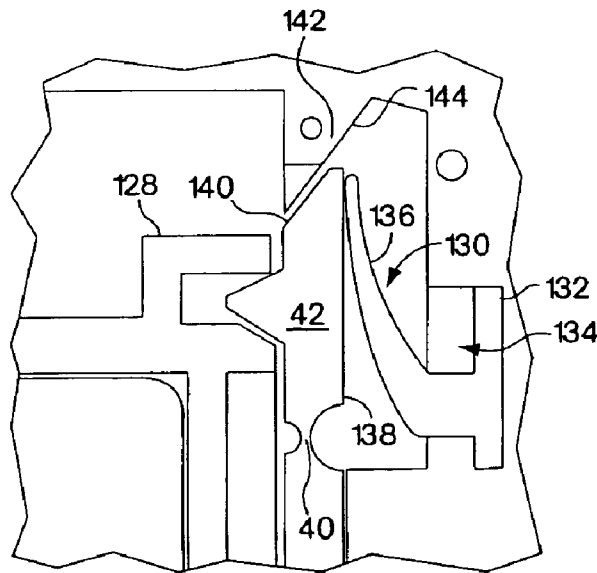


Fig. 12

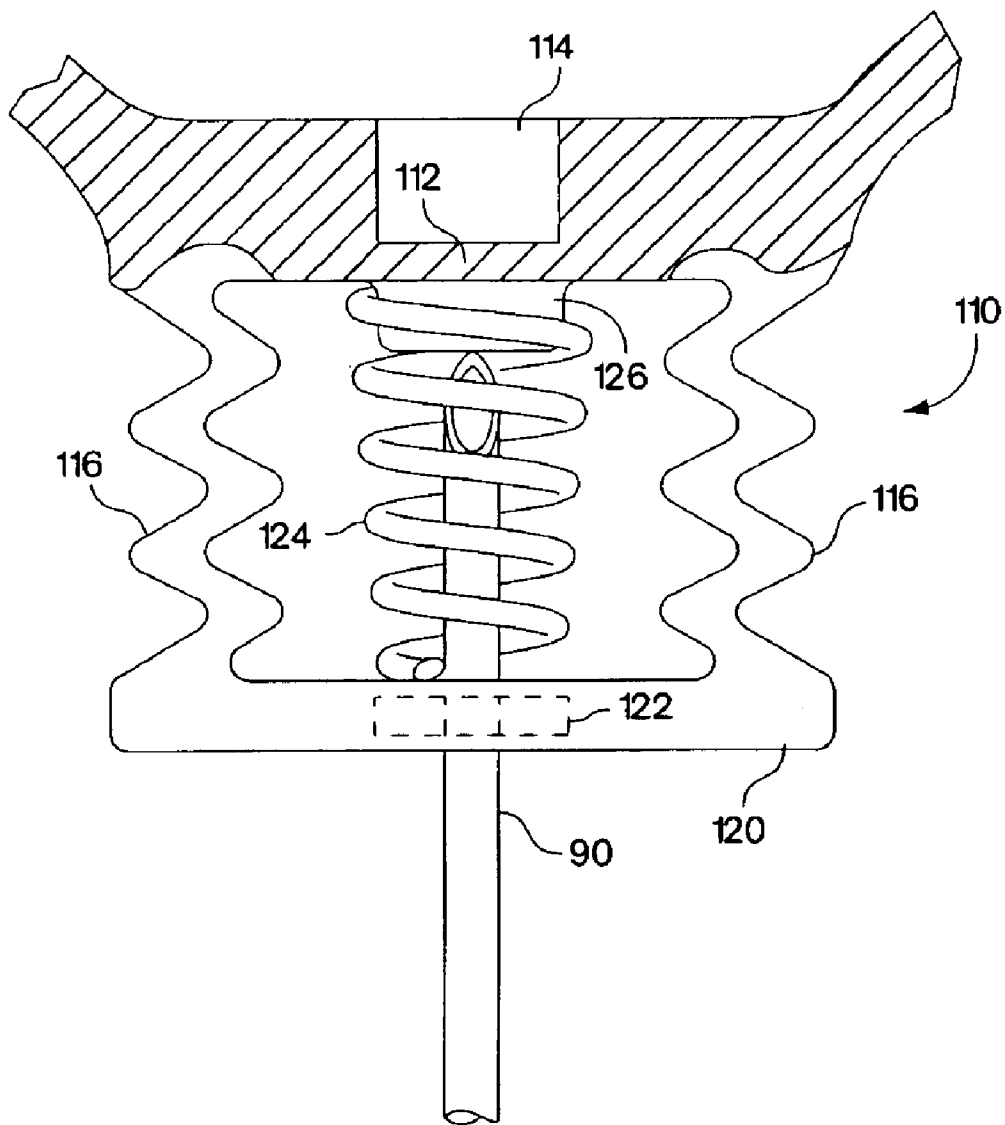


Fig. 13

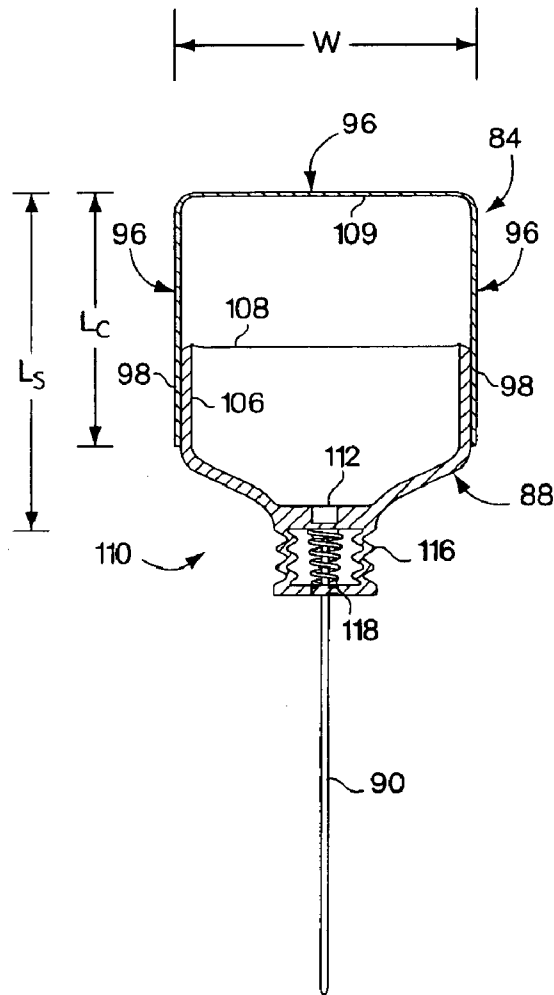


Fig. 14

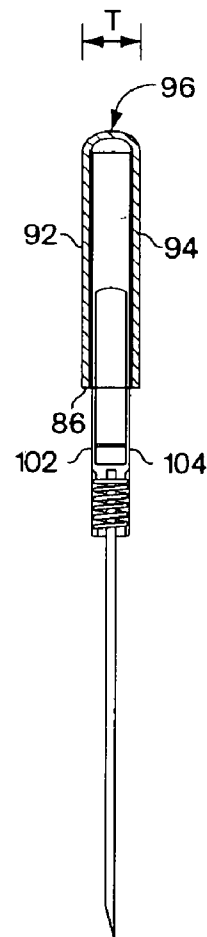


Fig. 15

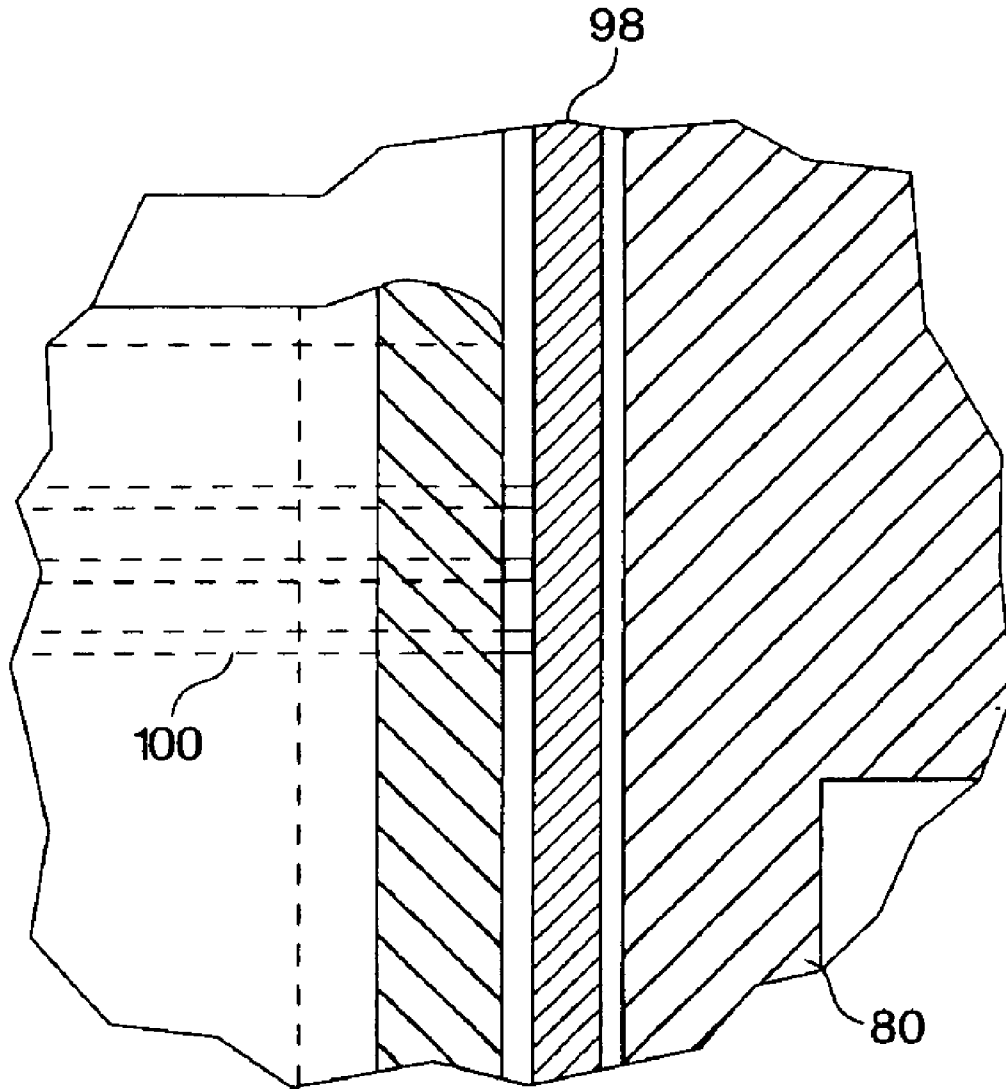


Fig. 16

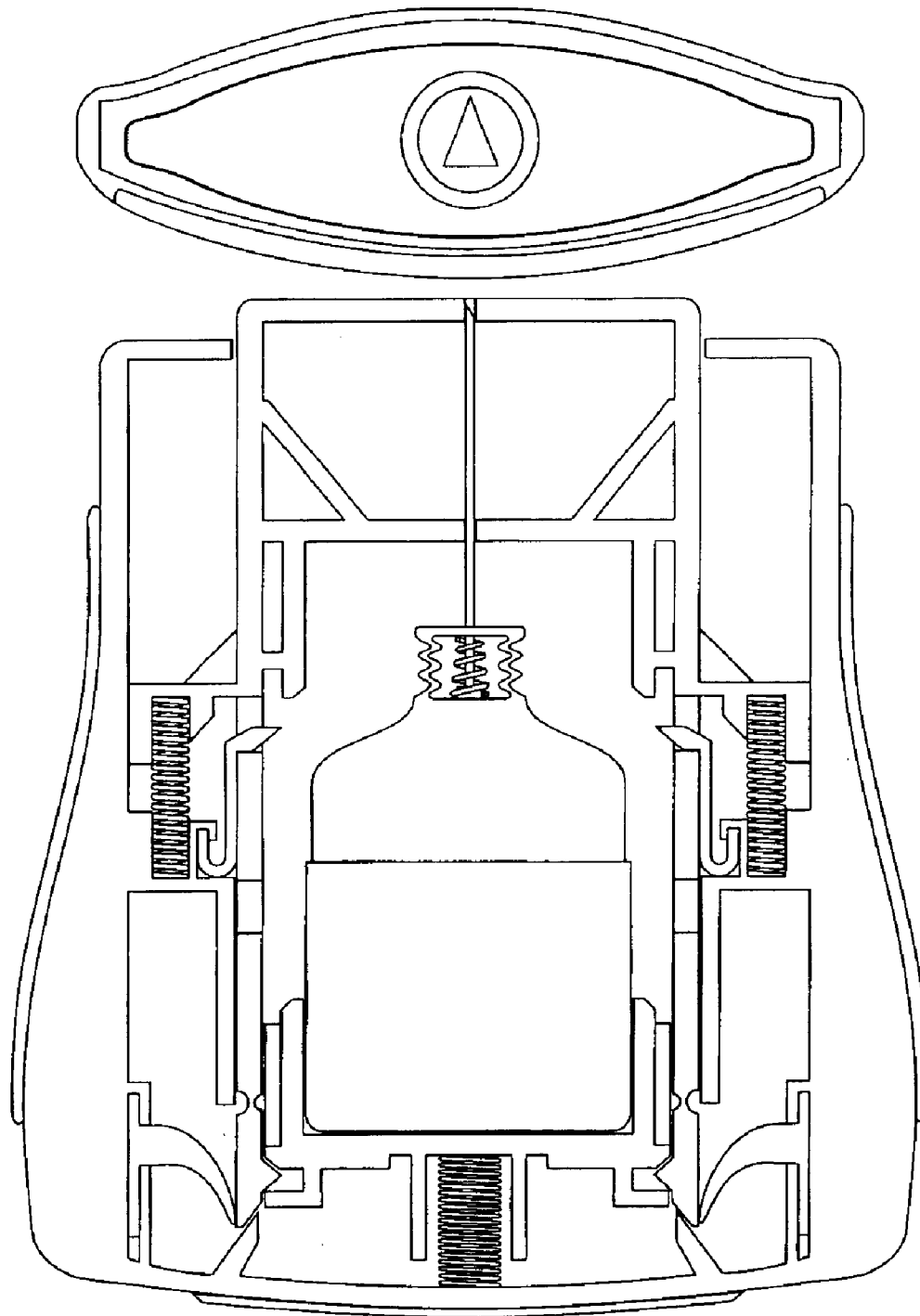


Fig. 17

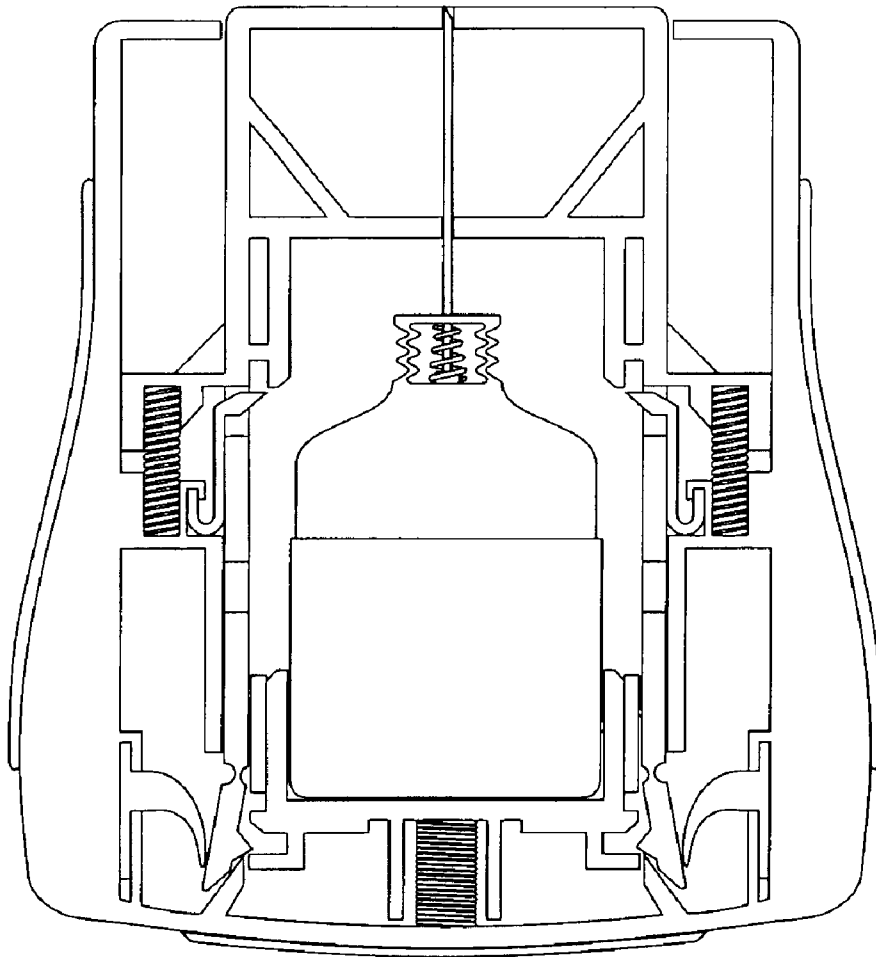


Fig. 18

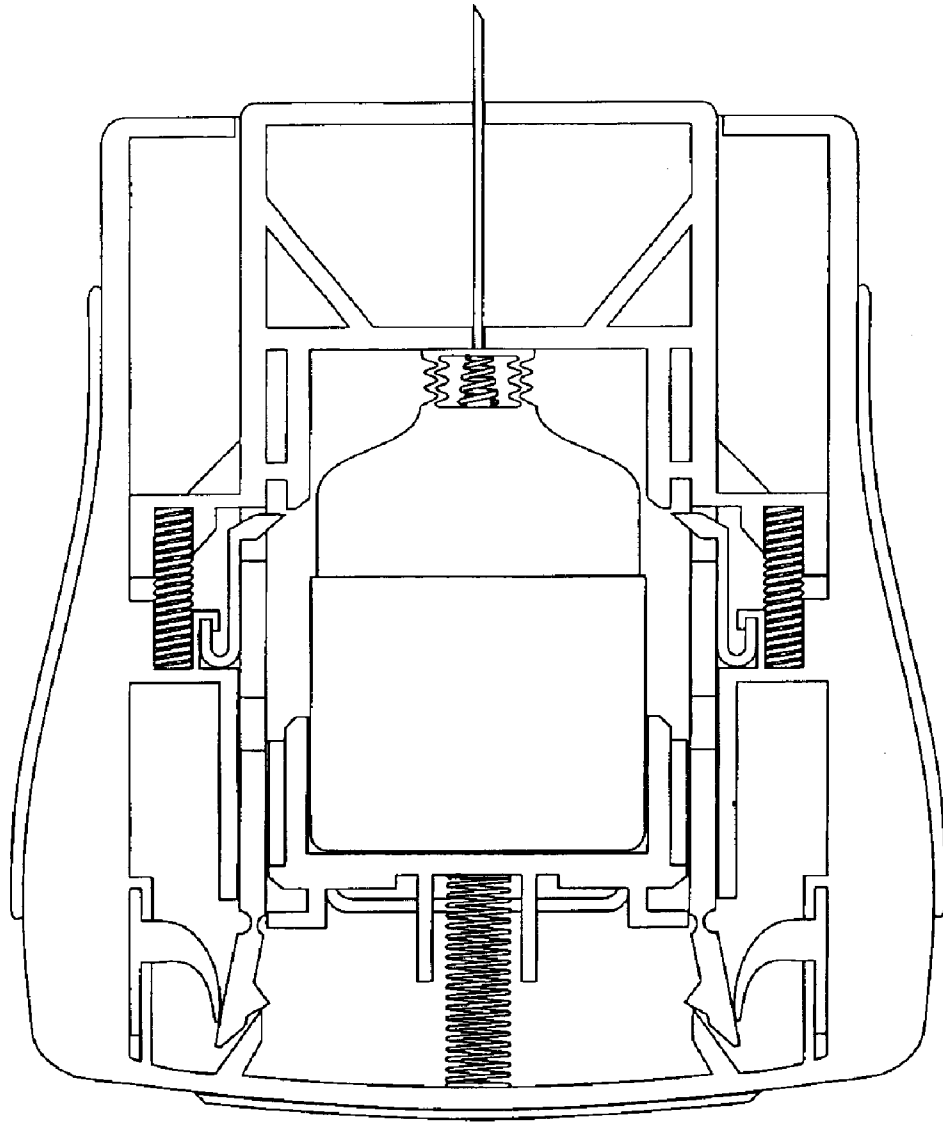


Fig. 19



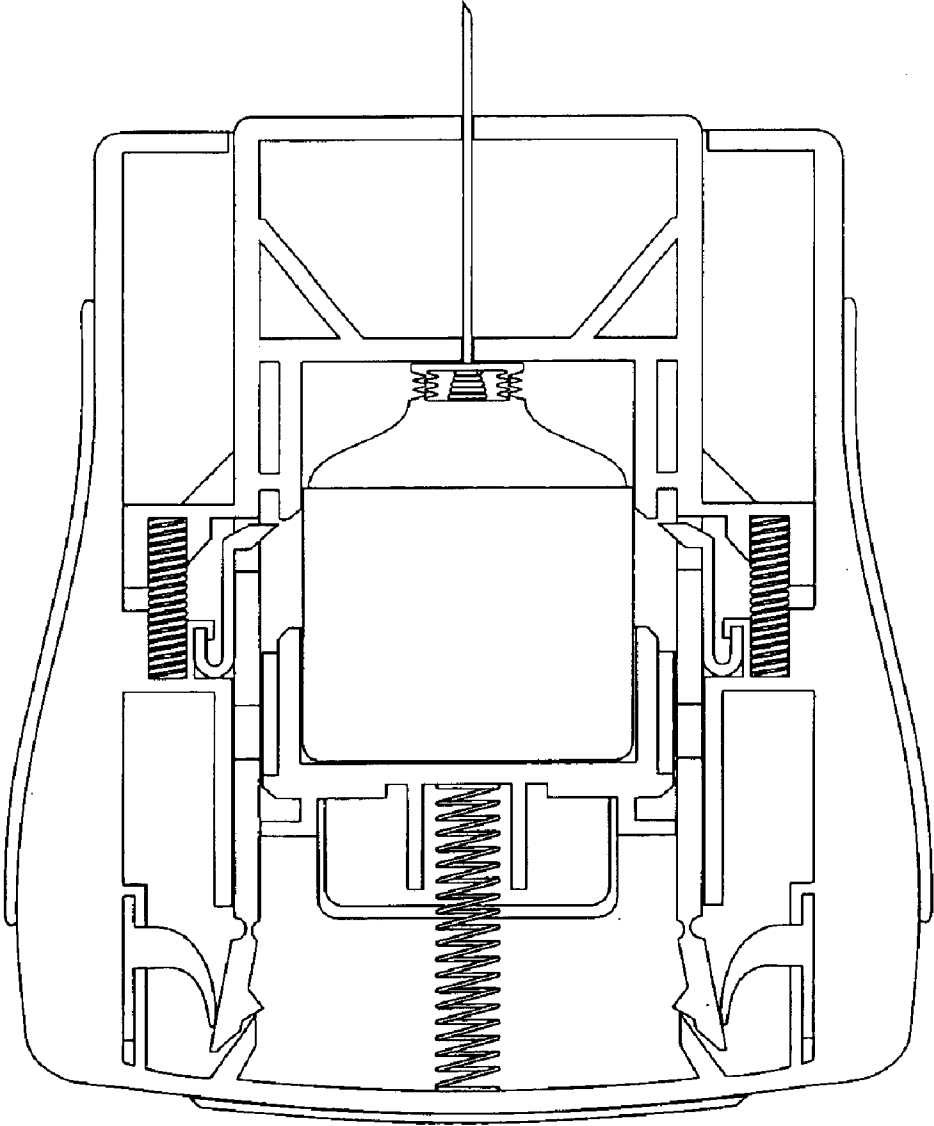


Fig. 20

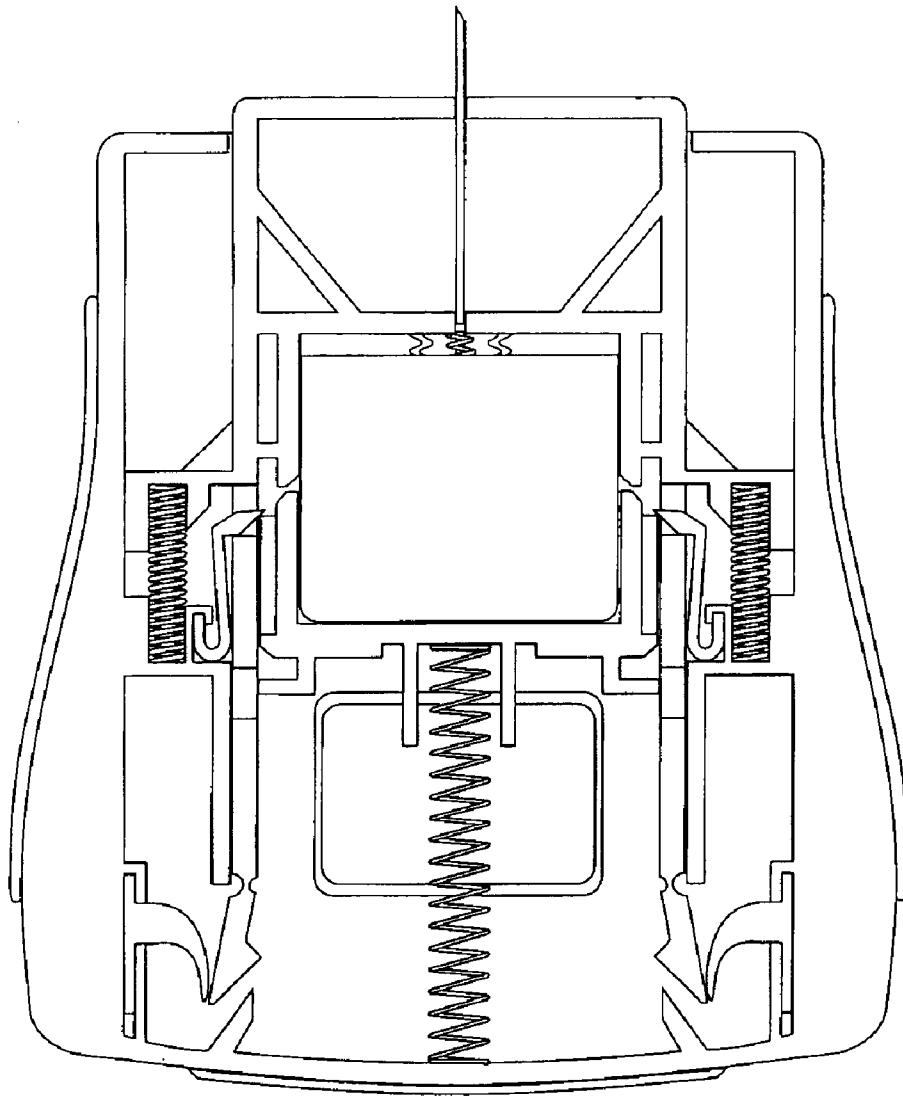


Fig. 21

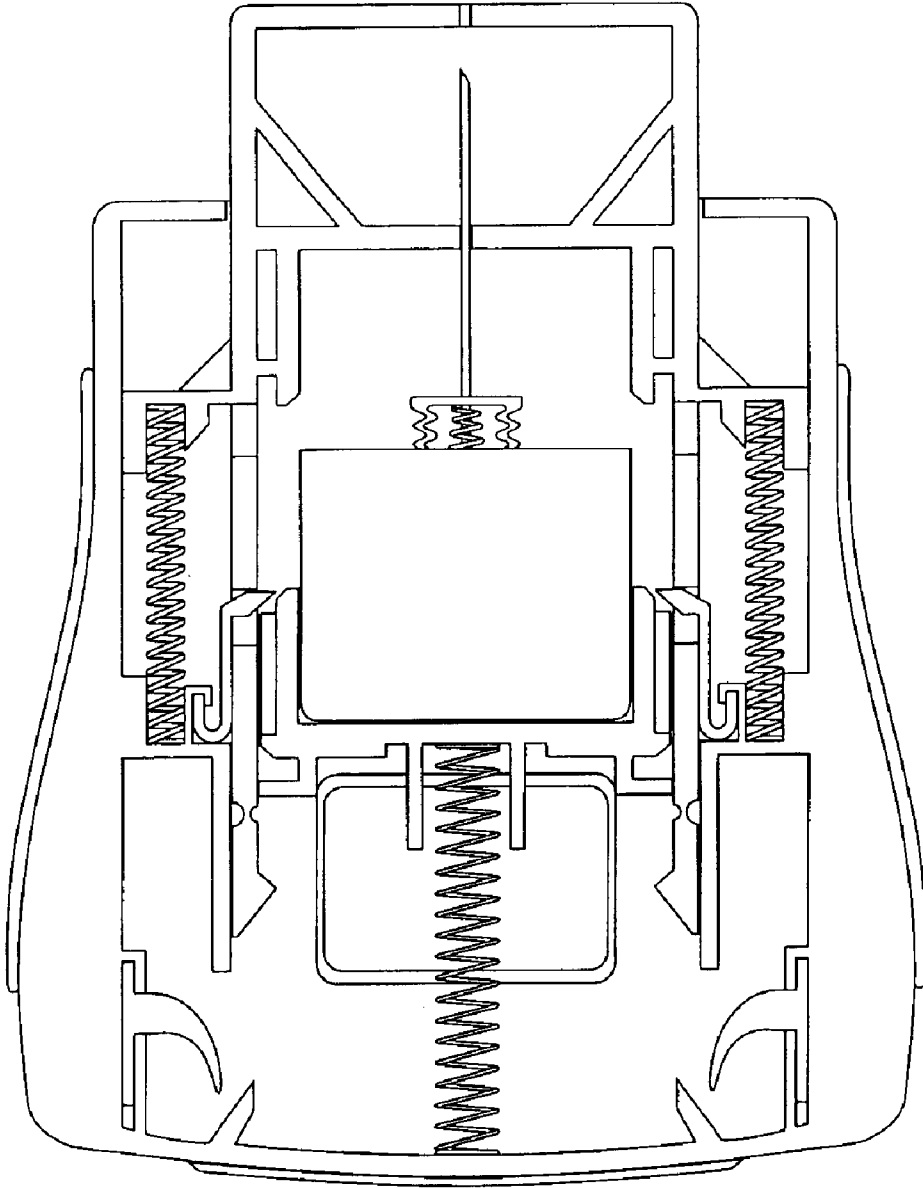


Fig. 22

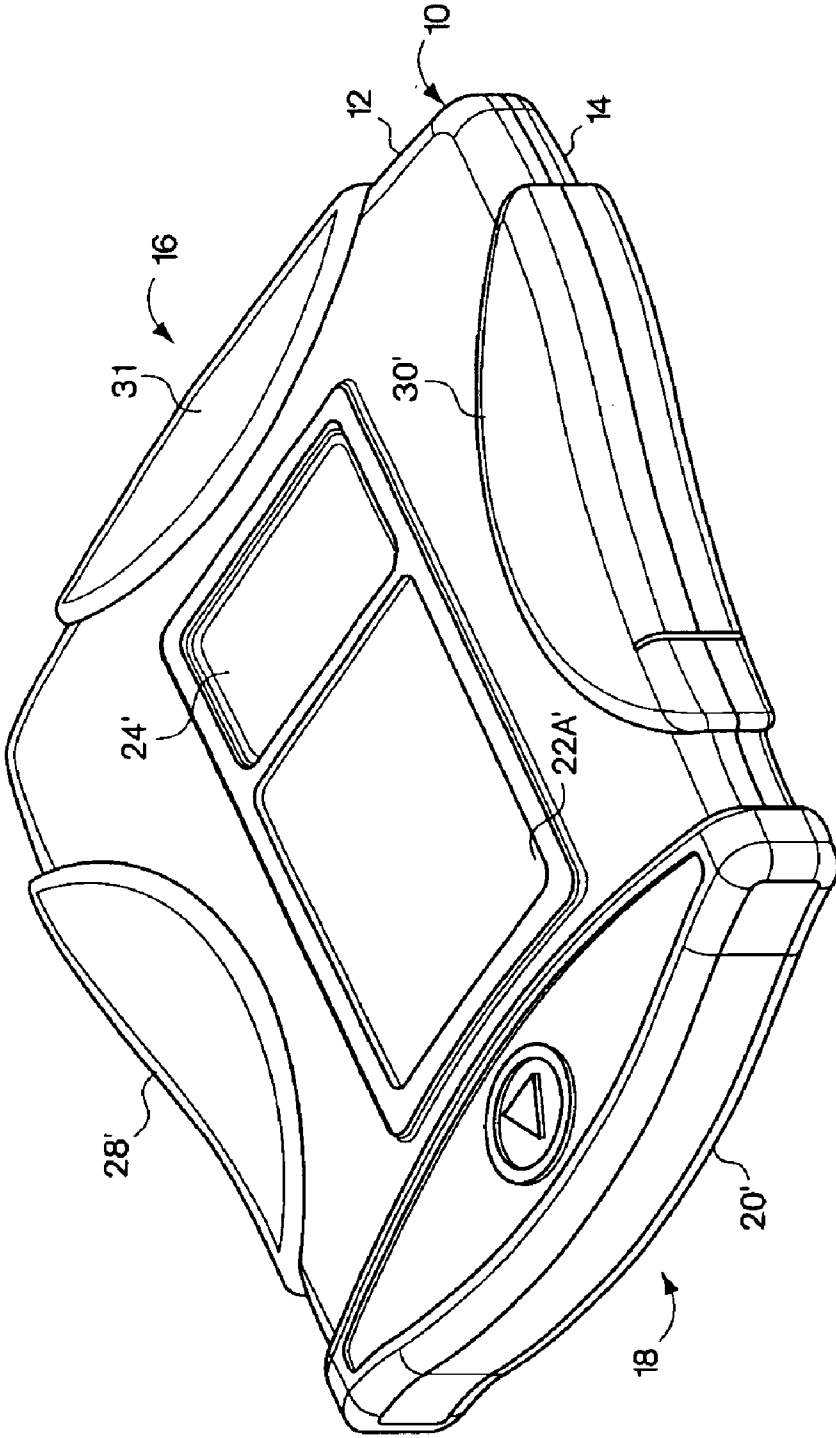


Fig. 23

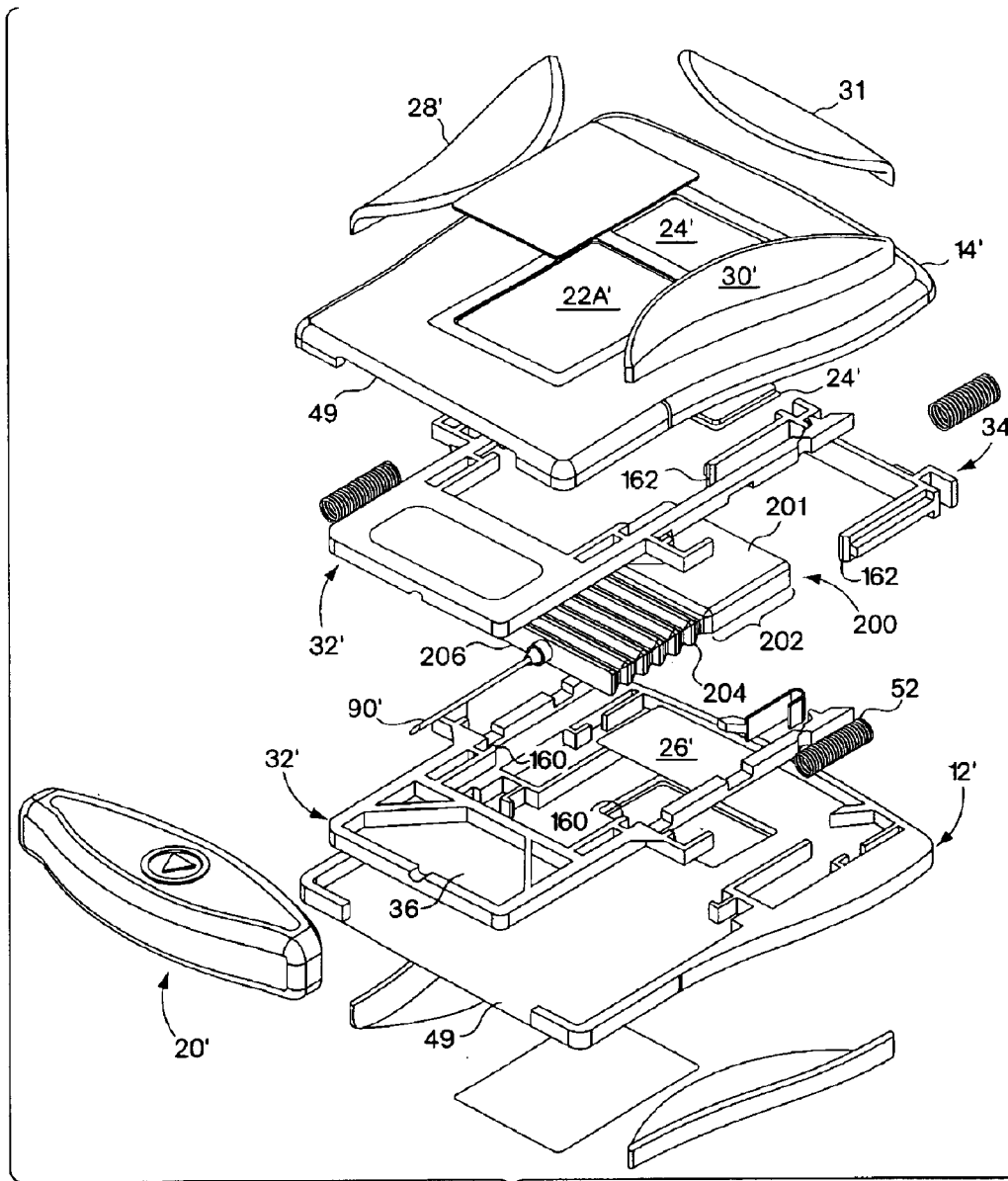


Fig. 24

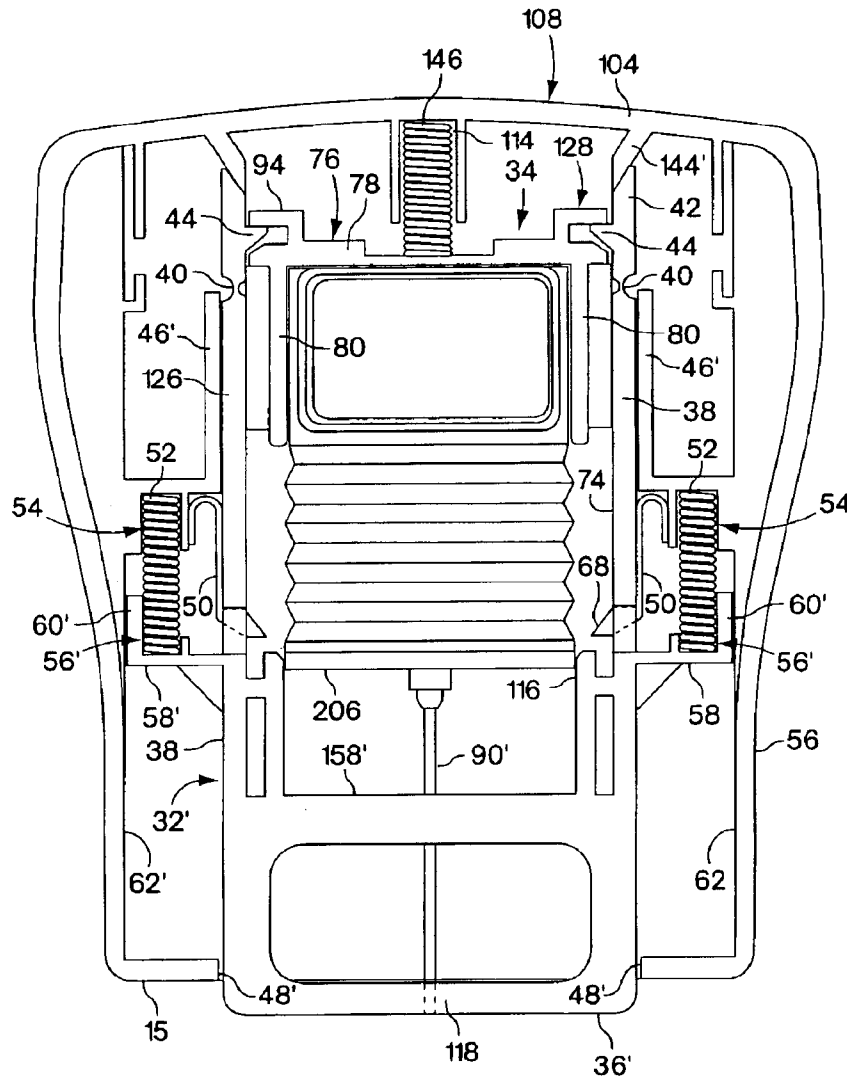


Fig. 25

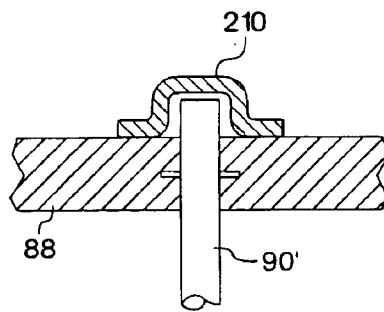


Fig. 26

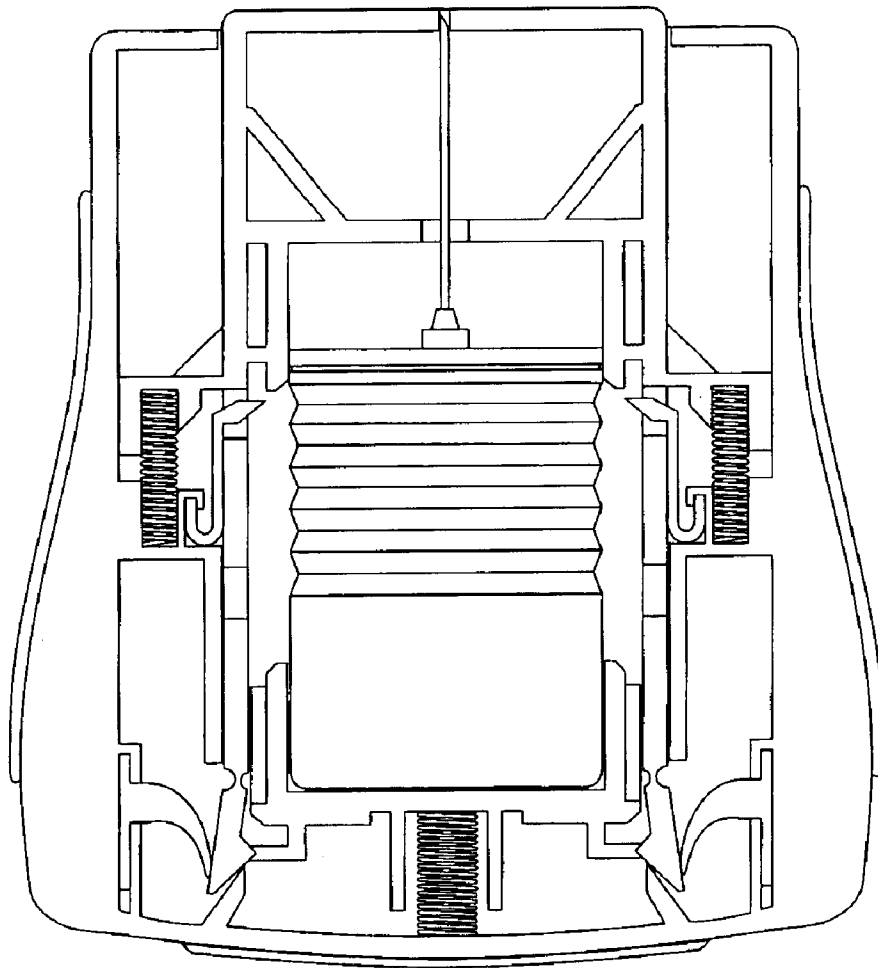


Fig. 27

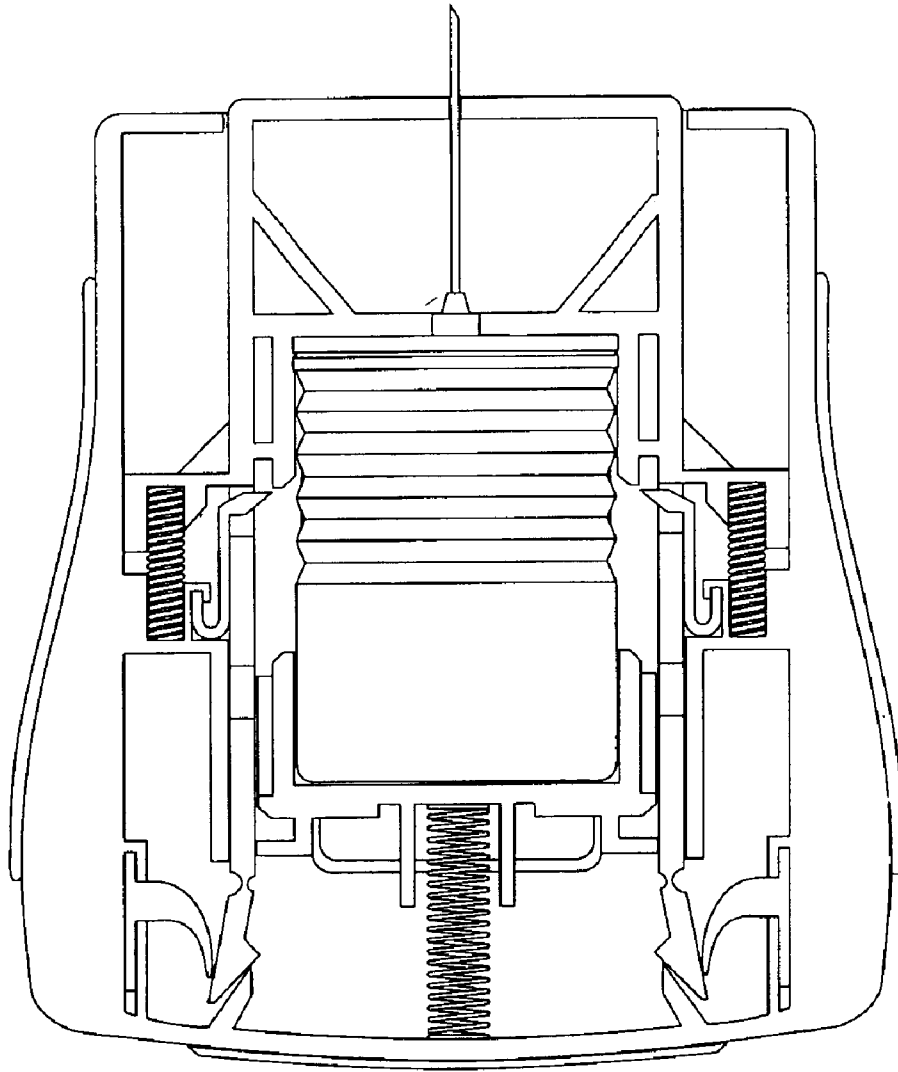


Fig. 28



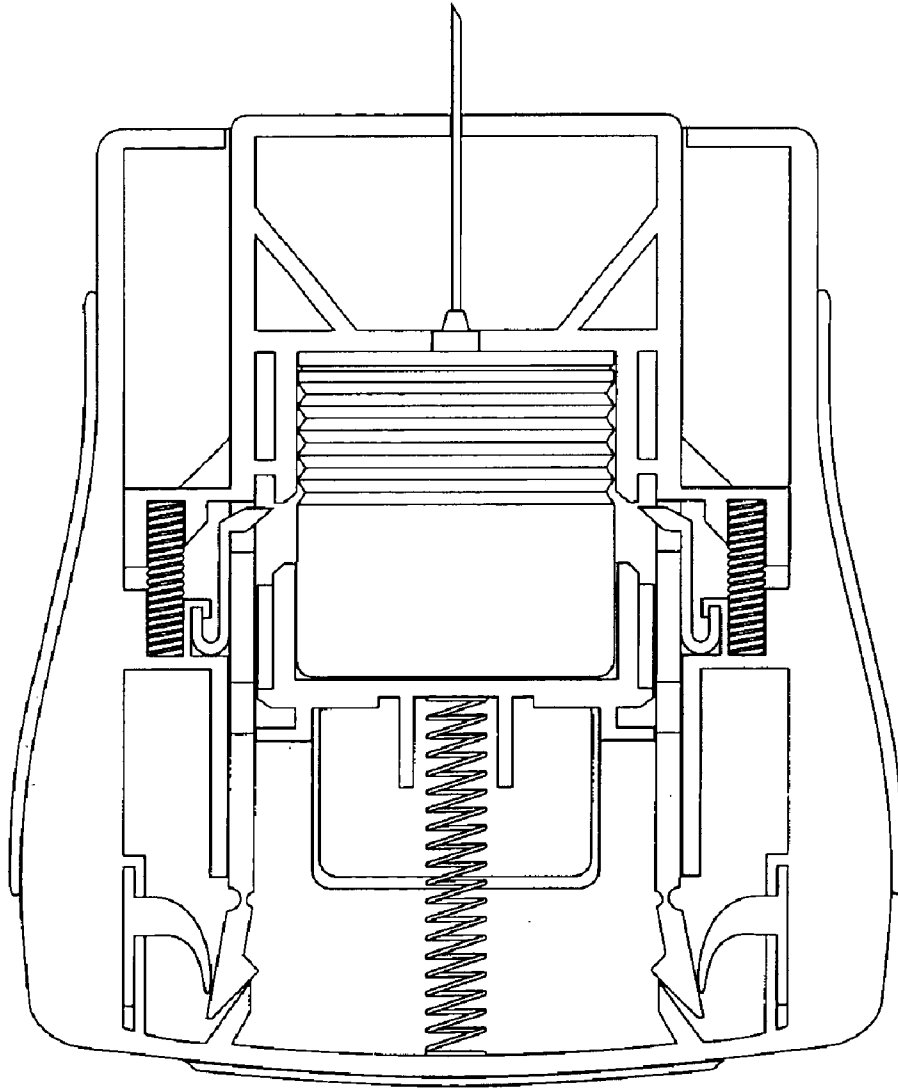


Fig. 29

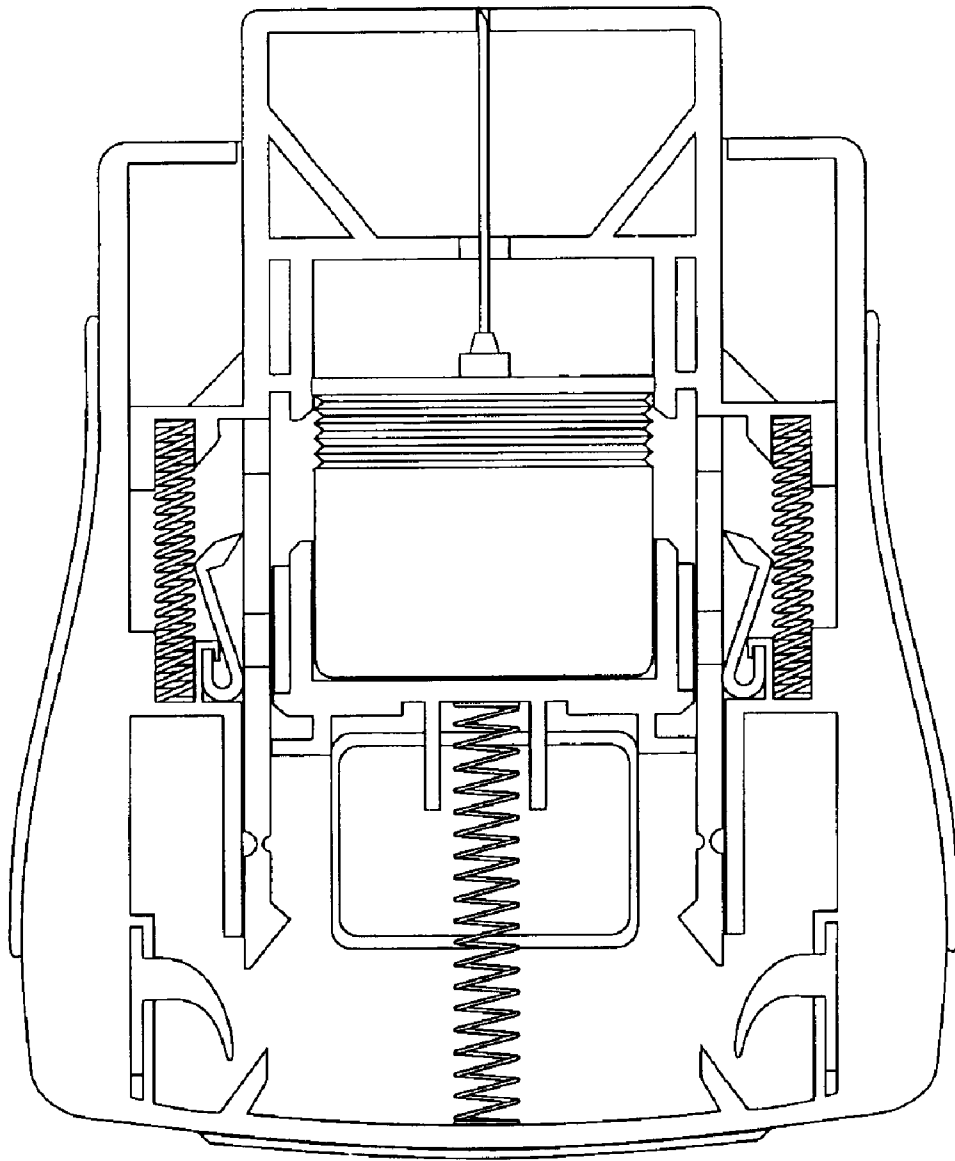


Fig. 30

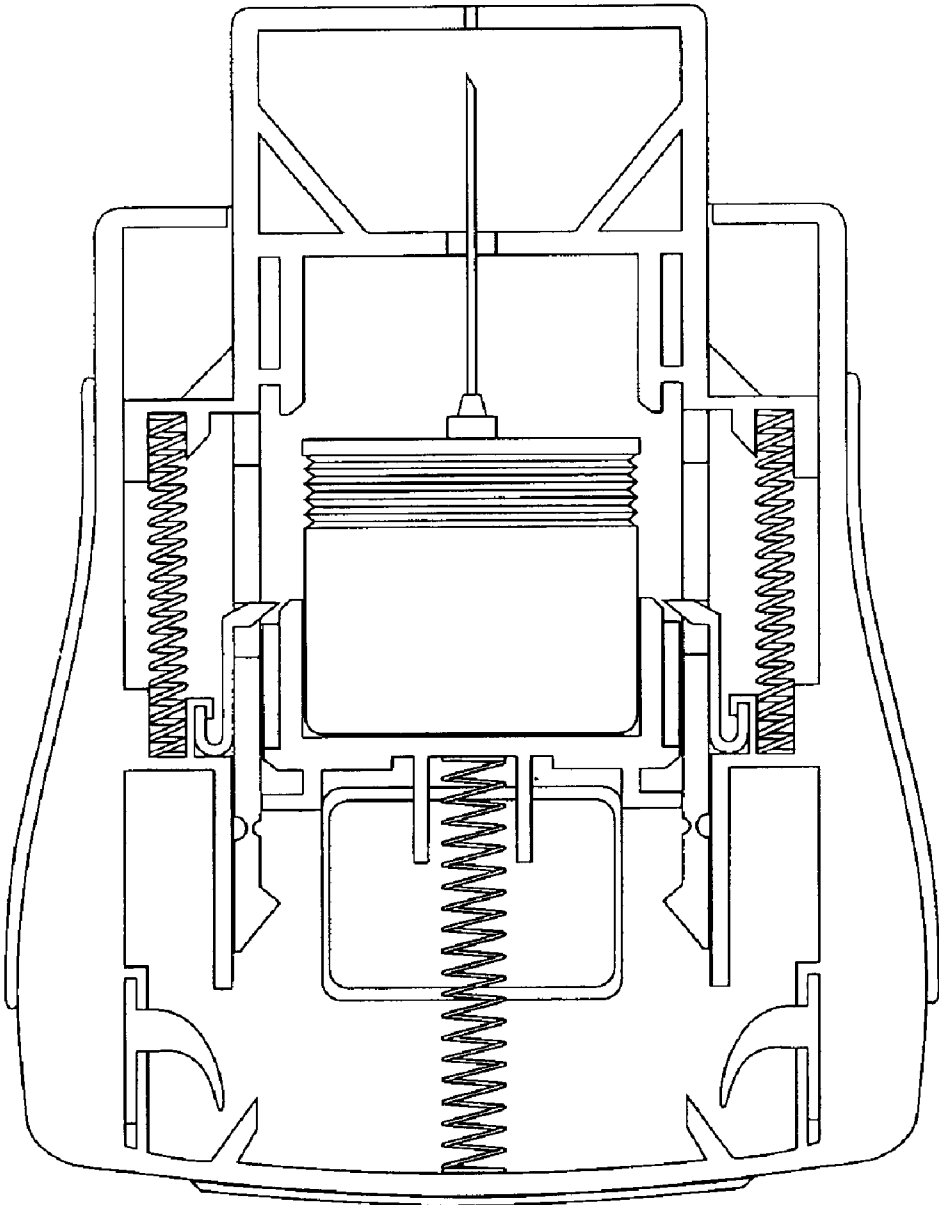


Fig. 31

1

## APPARATUS AND METHOD FOR RAPID AUTO-INJECTION OF MEDICATION

### FIELD

The invention relates to portable auto-injectors for rapid, automatic injection of a measured dose of medication.

### BACKGROUND

Certain medical conditions require immediate injection of medication. The condition requiring such treatment may result from a variety of causes. Among the most serious of those conditions is anaphylaxis (a severe allergic reaction) that, in many cases, can become fatal within minutes if left untreated. Among the numerous allergens that may cause anaphylaxis are insect bites, various chemical substances and foods. Food products having even small quantities of peanuts, seafood or milk products can, in some individuals, induce severe, potentially lethal reactions. In foods, the allergen may be "hidden", that is, the food, unknowingly, may contain a minute trace of an allergenic ingredient or may have been exposed to the allergenic ingredient during its processing. When anaphylaxis occurs, often there is insufficient time for the patient to reach a hospital or other trained and equipped medical personnel.

Individuals known to be at risk for anaphylactic reaction typically are advised to carry, at all times, an auto-injection device adapted to inject a bolus of epinephrine. The ability to inject the epinephrine immediately can be a matter of life or death. Notwithstanding the severe risk involved, there is evidence that a large proportion of the population that should be carrying such a device, in fact, does not. At least one study indicates that fewer than 30% of patients at risk of anaphylaxis carry the device at all times. See Goldberg A, Confino-Cohen R., "Insect Sting-Inflicted Systemic Reactions: Attitudes of patients With Insect Venom Allergy Regarding After-Sting Behavior and Proper Administration of Epinephrine", *J Allergy Clin Immunol* 2000; 106:1184-9. Food based allergies are reported to cause anaphylactic reactions resulting in 30,000 trips to the emergency room and 150 to 200 deaths per year ([www.foodallergy.com](http://www.foodallergy.com)). The main factor contributing to a fatal outcome is the fact that the victims did not carry their emergency kit with adrenaline (epinephrine). See Wuthrich, B., "Lethal or Life Threatening Allergic Reactions to Food", *J. Investig Allergol Clin Immunol*, 2000 March-April, 10(2):59-65. Moreover, even for those individuals that are required to carry such a device, it has been reported that a large proportion (as much as two-thirds) are insufficiently familiar with its use and operation. See Sicherer, S. H., Forman, J. A., Noone, S. A., "Use Assessment of Self-Administered Epinephrine Among Food-Allergic Children and Pediatricians", *Pediatrics*, 2000; 105:359-362. Only 25% of physicians, in one study, were able to properly demonstrate the use of the device. See Grouhi, M., Alsherhri, M., Hummel, D., Roifman, C. M., "Anaphylaxis and Epinephrine Auto-Injector Training: Who Will Teach the Teachers?", *Journal of Allergy and Clinical Immunology* 1999 July; 104(1):190-3. It has been estimated that as many as forty million individuals in the United States are at risk of anaphylaxis. See Neugut, A. I., Ghatak, A. T., and Miller, R. L., "Anaphylaxis in the United States: An Investigation into its Epidemiology", *Archives of Internal Medicine* 2001 Jan. 8; 161(1):15-21.

Perhaps the most common automatic emergency epinephrine injection device is commercially available from DEY, Inc. of Napa, Calif. under the trade designation EpiPen. The

2

EpiPen device, believed to be described in U.S. Pat. 4,031, 893, is designed to inject rapidly an adult dose of about 0.30 milligrams of epinephrine. The device is generally tubular and, including its tubular container, is about six inches long and nearly one inch in diameter. The device is relatively bulky and requires several manipulative steps in its use. Where a patient may only actually use the device infrequently, there may be some confusion in performing the required manipulative steps, particularly when the individual experiencing an anaphylactic reaction may be in a state of near panic. Although the device includes written instructions on its cylindrical surface, they may not be easily read, particularly under the stress of emergency circumstances. The manner in which the EpiPen is to be used is not readily and intuitively apparent without reading the text of the instructions on the cylindrical sleeve. Should it be necessary for someone other than the patient (e.g., a bystander) to administer the medication, for example, if the patient has gone into shock, the person called on to administer the medication may not know how to operate the auto-injection device. Consequently, precious time may be lost, increasing the risk to the patient. Additionally, after the device has been used to effect an injection, its hypodermic needle remains exposed, presenting post-injection hazards. Among such hazards are those associated with blood-borne diseases such as HIV and hepatitis B and C or, when some of the medication remains in the device after injection, the risk of delivering some of the residual medication as a consequence of an accidental needle stick.

It would be desirable to provide a more compact, low profile, easily used auto-injector for rapid transcutaneous administration of a predetermined dose of medication.

### SUMMARY

Our single-use, auto-injector for rapid delivery of a bolus of medication is configured to have a generally flat sealed housing with peripheral dimensions approximating those of a credit card to facilitate the ease and convenience of carrying, handling and using the device. The housing contains internal components configured and arranged to be in a generally flat array and to operate within the generally flat confines of the housing. The internal components include a syringe that is pre-filled with the selected injectable medication, the syringe including a syringe body and a hypodermic needle. The syringe is arranged to be moveable from a retracted, pre-injection position in which the device is stored, to an extended, injection position in which the needle extends out of the housing to penetrate tissue. The syringe itself is configured to be containable within a flat virtual envelope. A needle shield also may be carried by the housing to cover and enclose the hypodermic needle at all times before, during and after injection, so that the sharp tip of the needle is never exposed. The shield also may serve as an actuator, responsive to being pressed against the injection site to enable the needle to be driven from its retracted position to its injection position, first to pierce the patient's skin to the desired depth and then to inject automatically and rapidly a measured bolus of medication into the patient. When the device is actuated, the syringe is released from its retracted position to enable a self-contained power source first to drive the syringe toward the injection position and then to effect the injection of the medication. After injection, as the device is withdrawn from the patient, the needle shield automatically extends to a position to cover the needle. The device automatically locks the needle shield in its extended, needle-protective position. In another aspect, the generally flat configuration of the device provides ample space on

which relatively large, easily understood, pictograms can be placed, graphically showing the manner of using the device or for providing other information.

The auto-injector includes a cover that is secured to the housing to contain and seal the injection end of the device, including the needle shield, during storage and before use. The cover is sealed to the housing and protects the device from inadvertent actuation. It must be removed in order to permit injection which is effected by then simply pressing the needle shield against the patient's skin. The cover may be transparent to enable the actuating member to be seen. The device may include a removable tamper-evident seal between the cover and the body of the device to further assure sterility and protection of the device before use.

It is among our general objects to provide a compact, portable, low-profile, safety, single use, auto-injector for rapidly administering a bolus of injectable medication and methods for rapid self-administration of medication. Other objects, advantages, aspects and features will be apparent to those skilled the art from the following, more detailed description.

#### DESCRIPTION OF THE DRAWINGS

In the accompanying drawings:

FIG. 1 is an isometric view of an exemplary embodiment of an auto-injector, illustrating the back face of the housing and a large, flat labeling area;

FIG. 1A is an enlarged illustration of a peel-away strip connecting the cover to the body of the auto-injector;

FIG. 1B is an enlarged cross-sectional illustration of the body of the injector illustrating the seal and groove on the auto-injector body adapted to receive and engage the cover;

FIG. 1C is a cross-sectional illustration similar to FIG. 1B showing the cover engaged with the body, sealed and locked;

FIG. 2 is a plan view of the front of the device;

FIG. 3 is a plan view of the back of the device;

FIG. 4 is an end view of the rear of the device;

FIG. 5 is an end view of the front of the device with the cover attached to the housing;

FIG. 6 is a side elevation of the device;

FIG. 7 is an exploded illustration of the components of an exemplary embodiment of the device;

FIG. 8 is a plan view of the internal components of the device with one section of the housing removed, illustrating the components in a retracted configuration, in readiness for use;

FIG. 9 is an isometrical illustration of the actuator assembly;

FIG. 10 is an enlarged illustration of one of the arm locks;

FIG. 11 is an enlarged plan illustration of one of the arm locks and its engagement with an arm of the actuator assembly and a spring for biasing the actuator assembly in a forward direction;

FIG. 12 is an enlarged illustration of one of the latching arrangements for retaining the syringe assembly in a retracted configuration, in readiness to be released;

FIG. 13 is an enlarged illustration, partly in sections, of the arrangement supporting a hypodermic needle;

FIG. 14 is a front view of an embodiment of a syringe;

FIG. 15 is a side view of the syringe of FIG. 14;

FIG. 16 is a sectional illustration of a portion of the plunger and container of the syringe body of FIG. 14 illustrating the seal between the two;

FIGS. 17–22 are sequential illustrations of the device in various stages of operation;

FIG. 23 is an illustration of another exemplary embodiment of a device;

FIG. 24 is an exploded illustration of the components of the device shown in FIG. 23 illustrating use of a syringe in the form of a collapsible bellows;

FIG. 25 is an illustration of the device of FIG. 24 with the front section of the housing removed and illustrating the configuration of the internal components in a retracted, storage configuration;

FIG. 26 is a diagrammatic illustration of a rupturable seal to isolate the contents of the bellows syringe of FIG. 25 from the needle; and

FIGS. 27–31 are sequential illustrations of the device in various stages of operation.

#### DETAILED DESCRIPTION

FIGS. 1–6 illustrate a compact, low profile, auto-injector that includes a generally flat housing 10. The housing may be defined by a pair of mating, separately formed housing sections, including a front section 12 and a back section 14. The front and back housing sections 12, 14 may be formed from any appropriate material having sufficient strength to serve as a protective housing for the internal components of the device. The housing sections may be made from a thin injection molded metal or high pressure casting or from various polymers or engineered materials having sufficient structural and engineering characteristics, including rigidity and toughness, to insure the integrity of the internal components. The internal surfaces of the housing sections 12, 14 may be formed to include a number of walls and sockets that serve to cooperate with the internal components of the device to maintain the components in place as well as to guide movable components along their intended paths of movement.

The auto-injector may be considered as having a rear end 16 and a forward end 18 and a longitudinal axis extending between the ends. The device is intended to be held by its rearward portions, with the forward end 18 being pressed against the patient's skin, such as against the thigh. When triggered, the device causes the injection needle to emerge, suddenly, from the front end and effect injection of the medication bolus.

A molded safety cover 20 is fitted onto the forward end of the housing 10. The safety cover 20 maintains the sterility of the internal components and also prevents inadvertent actuation of the device. The safety cover 20 must be removed from the device before it can be used. The cover 20 preferably is formed from a moldable polymeric material having sufficient strength to protect the front end of the housing even under rough conditions. The material also should be selected to enable the formation of a thin, tearable connector by which a peel-away strip 11 may be attached to the body of the cover. The cover 20 may be transparent to enable the forward end of the housing including an actuator, described below, to be visible without removing the cap. The device is used in a simple three-step process, first by simply removing the peel-away strip 11, then gripping the rear end with one hand while removing the safety cover 20 with the other hand, and then pressing the exposed forward end of the device against the injection site. The outer surface of the housing 10 may be provided with overmolded elastomeric grips 28, 30 having frictional characteristics for holding the device securely in one hand. The elastomeric material of the grips 28, 30 may be provided with an appropriate filler to enable the device to glow in a dark environment.

## 5

FIGS. 1A, 1B, 1C illustrate, in enlarged detail, the configuration of the housing 10 and the manner in which it interacts with the cover 20 and peel-away strip 11. Each of the front and back sections 12, 14 of the housing is formed with a first circumferential groove 13 and a second circumferential groove 15 located close to but forwardly of the first groove 13. The first groove 13 is intended to receive a latch portion 17 of the strip 11 (FIG. 1C). The second groove 15 is receptive to a compressible member, such as a molded gasket or O-ring 19. The peel-away strip 11 may be formed integrally with the cover 20, with the peel-away strip 11 being defined by a groove 21 formed circumferentially about the cover. The groove 21, in turn, defines a thin circumferential connector 23. The material of the cover 20 and peel-away strip 10 preferably is selected to be of a suitable polymer capable of protecting the forward end of the housing while also being tearable manually at the thin neck 23. A tab 25 preferably is integral with and extends from the peel-away strip 11 to facilitate gripping and tearing of the strip. The cover 20 is assembled with the housing simply by inserting the forward end of the housing 10 into the rearwardly facing opening of the cover. As the peel-away strip 11 advances rearwardly toward the first groove 13, it rides over the compressible gasket 19. The lower, rearward facing edge of the locking element 17 preferably is beveled, as at 27, to facilitate advancement of the peel-away strip 11 over and past the gasket 19. When the lock portion 17 of the peel-away strip 11 reaches the first groove, it snaps into the groove 13, preventing the cover from being removed until the strip 11 has been peeled away. When the device is in its stored configuration (FIG. 1C), the compressed gasket 19 provides a seal between the inner surface of the cover 20 and the outer surface of the housing 10 to provide a barrier against contamination.

The flat configuration of the housing enables each of the front and back housing sections 12, 14 to receive a label. The labeling area of at least one of the sections, e.g., the back section 14, is of sufficient size to receive graphic images such as pictograms illustrating use of the device. As shown in FIG. 3, the label 22A has three pictograms, 29, 31, 33 illustrating, respectively, removal of the peel-away strip 11, removal of the cover and pressing the forward end against the injection site. The use of such graphics enables even one unfamiliar with the device to understand immediately how it is used.

The front and back sections 12, 14 of the housing 10 may be secured together in a manner compatible with the particular materials from which the housing is made. For example, if the housing is made from an injection molded or cast metal, the sections may be secured together with screws 35 (FIG. 7) or an appropriate adhesive. The peripheral portions of the front and back sections 12, 14, may be sealed by interposing a thin gasket 37 between the facing surfaces of the peripheral walls of the housing sections. The gasket or O-ring 19 should maintain a seal where it contacts the thin gasket 37. Should the front and back housing sections be formed from a plastic or engineered material, the sections 12, 14 may be sealed by sonic welding, adhesives or other bonding agents, as appropriate.

Each of the front and back housing sections 12, 14 may be provided with a window 24, 26, respectively, through which the condition of the medication in the syringe can be observed. For example, in the case of epinephrine, the presence of dark brown color or a precipitate in the medicine indicates that the strength of the medication has become reduced or that it has lost its therapeutic function, signaling that the medicine is not reliable and that the device should

## 6

be replaced. The window should be formed from a material, or should be coated, to prevent exposure of the medication to quantities of ultraviolet light that might adversely effect its medicinal characteristics. When the device is used with medications for which visual inspection is not particularly critical, the window may be modified or omitted. Omission of the window provides for additional flat surface on which labels may be placed appropriate to the particular medication or intended use of the device.

The device preferably is dimensioned to be held in one's palm and may have peripheral dimensions approximating those of a conventional credit card. In a preferred illustrative example, the housing may be about 3.25 inches long, and about 2.0 inches wide. The thickness of the device is substantially less than either of the length or width and, in the preferred illustrative example, may be of the order of 0.25 inch thick. The device, so dimensioned, has a generally flat appearance. It is carried easily in ones pocket or purse without feeling bulky or uncomfortable thereby increasing the likelihood of it being carried on one's person and being available, if needed. It should be understood, however, the foregoing dimensions are illustrative only and that the precise dimensions and peripheral shape of the device may be varied as long as the device maintains its compact configuration and is not made so large as to defeat its compact and portable characteristics.

The term "flat" when used in this specification to describe the housing of the device is intended to mean a configuration that can be confined in a virtual three dimensional envelope having a length, a width, and a thickness, and in which the thickness is substantially less than each of the length and width, with each of the length, width and thickness being measured along orthogonal directions. Although the embodiments described in this specification may be considered as having a generally rectangular peripheral configuration, other, non-rectangularly configured housings may be employed that have orthogonally measured length, width and thickness of a flat virtual envelope, as defined. It also should be understood that "flat" is not intended to be limited to precisely planar in a mathematical sense.

Although the most preferred embodiment has peripheral dimensions approximating those of a credit card (2.125"×3.375") and a thickness of about 0.25inch, the dimensions of the device may be varied while still maintaining the flat characteristic described in the specification. Preferably, a range of lengths between about 2.8 to about 3.8 inches may be employed with a width in the range of about 1.7 to about 3.5 inches. The thickness of the device may be between about 0.20 to about 0.75 inch.

FIGS. 7-15 illustrate the internal components of an exemplary device embodying aspects of the invention. The device may be considered to include two longitudinally sliding assemblies, including an actuator assembly 32 and a syringe carrier assembly 34. The actuator assembly 32 (FIG. 9), which may be formed from molded plastic mirror-image mating sections (see FIG. 8) in the same manner as the mating housing sections 12, 14, includes a generally flat needle shield 36 at its forward end and a trailing portion, such as a pair of arms 38 extending rearwardly from the shield 36. The needle shield 36 has an internal needle passage 37 adapted to contain the forward end of the needle. The passage terminates, at its forward end at an opening 39. The trailing end of each arm 38 includes a living hinge 40 by which a finger 42 is flexibly attached to the arm 38. Each finger 42 includes a radially inwardly extending detent 44 that cooperates with the syringe carrier assembly 34 in a manner described below. The laterally outward surfaces of

the arms **38** are slidably guided by a pair of guide walls **46**, formed integrally with the front and back housing sections **12, 14**, and guide surfaces **48** formed at the forward end of the housing **10**. The guide surfaces **48** define a forward opening **49** in the housing through which a forward portion of the needle shield **36** projects. The actuator assembly **32** is retained in the retracted position shown in FIG. **8** by a pair of releasable arm locks **50** that are mounted interiorly of the housing and releasably engage forward apertures **51** formed in the arms **38** of the actuator assembly **32** (FIGS. **8** and **9**). When the actuator assembly **32** is in its retracted position (FIG. **8**), the forward portion of the needle shield **36** projects slightly beyond the forward end **15** of the housing **10**. When the cover **20** is separated from the housing, the forward end of the needle shield **36** is exposed and serves as an actuator to initiate operation of the device, when pressed against the patient's skin. The actuator **32**, or at least the portion of the needle shield **36** that projects forwardly of the housing before the device is actuated, may be formed from or provided with a label that has a visually distinct appearance from that of the housing, for example, by providing it with a red color or other warning indicia. When the cover **20** is transparent, the distinct forward portion of the shield is visible through the cover enhancing an understanding of the operation of the device merely from its appearance.

The actuator assembly **32** is biased in a forward direction by a pair of longitudinally disposed side compression springs **52**. One end of each side spring **52** is captured in a socket **54** defined by walls **49, 53** and the sidewalls **55** of the housing molded as part of the housing sections **12, 14**. The other, forward, end of each side spring **52** is captured in a socket **56** (FIG. **11**) defined by each of a pair of outriggers **58** that extends laterally from its associated arm **38**. The outermost end of each outrigger **58** terminates in a guide member **60** that slides along and is guided by a longitudinally extending surface **62** of the sidewall formed by the mated housing sections **12, 14**. When the device is in the storage configuration shown in FIG. **8**, the side springs **52** are substantially, but not completely, compressed. The springs **52** can be compressed further in order to permit the entire actuator assembly **32** to move slightly proximally to trigger the injection procedure, as described below.

The actuator assembly **32** is releasably maintained in the retracted configuration shown in FIG. **8** by the releasable arm locks **50**. As shown in enlarged detail in FIG. **10** each arm lock **50** has a retained end **62** that may be U-shaped and is captured in a socket **64** formed by cooperative walls of each of the front and back housing sections **12, 14**. The arm locks **50** may be formed from a suitable plastic having characteristics that will enable it to perform its spring function. Each arm lock **50** includes an extension **66** that functions in the manner of a resilient leaf spring. The end of each extension **66** has an inwardly projecting finger **68** that extends laterally inwardly through a distal aperture **51** formed in its associated arm **38** of the actuator assembly **32**. The extension **66** includes a flat section **72** that engages squarely a surface **70** (FIG. **11**) that defines the aperture **51** in the arm **38**. The tip of the finger **68** extends inwardly beyond the inner surface **74** of the arm and defines an inclined, wedge surface **75** that, when engaged, trips the locks **50** and as described below, releases the arms **38**, permitting the entire actuator assembly **32** to be driven distally under the influence of the side springs **52**. The arm locks **50** are tripped automatically when the injection needle has penetrated the patient's skin to the desired depth and the injection has been made.

The syringe carrier assembly **34** includes a syringe carrier **76** and a syringe **82**, pre-filled with a selected injectable

medication. For the syringes described, the syringe carrier **76** may be U-shaped, defined by an upper wall **78** and a pair of downwardly extending sidewalls **80**. In this exemplary embodiment, the syringe **82** has a flat configuration and is defined by a flat plunger-type device comprising a cup-like container **84** having an open end **86** that receives a plunger **88** that carries an injection needle **90**. The syringe carrier **76** is connected securely to the syringe, for example, by dimensioning the container **84** and carrier **76** to provide a snug friction fit which may be supplemented by lugs **85** extending from the carrier sidewalls **80** that engage the forward edge of the container.

In a device in which the medication to be contained in the container **84** may be epinephrine, the container **84** preferably is formed from glass and is transparent so that its front and back faces **92, 94** (FIG. **15**) may serve as windows. The windows are located to be aligned with the windows **24, 26** on the front and back housing sections **12, 14**, when the device is in its retracted configuration (FIG. **8**). In that manner, the user may observe the contained liquid through the windows to determine visually its condition. This is particularly important with a medication which changes color or forms a precipitate when its medicinal effectiveness has been reduced or lost. It should be understood that, although use of a glass container **84** is desirable when the medication is epinephrine, the container **84** may be formed from a variety of other materials that are compatible with the particular medication to be contained. In this embodiment, the container **84** has a flat configuration in which the thickness **T** of the container is substantially less than either of its length **L** or width **W** (see FIGS. **14, 15**). The container **84** has front and back walls **92, 94** joined by a peripheral wall **96** that is securely engageable by the syringe carrier **76**. The open end **86** of the container faces forwardly and is closed by the flat plunger **88** that is slidable into the container **84**. The plunger **88** engages the internal surfaces of the front and back walls **92, 94** as well as the side portions **98** of the peripheral wall **96**. The outer surface of the plunger should be slidably sealed to the container as by providing the plunger with one, and preferably several, wiping ribs **100** that extend about the plunger **88** to engage with the internal surfaces of the walls **92, 94, 96** (FIG. **16**). The peripheral wall may be radiused, if desired, to facilitate an enhanced seal between the container **84** and plunger **88**. The plunger itself may be solid or hollow, depending on the volume of medication to be contained and should be formed from a material that is compatible with the contained medicine, such as rubber or other compositions of the type used in conventional tubular syringes. The hollow plunger illustrated in FIGS. **14** and **15** may be considered as having front and back walls **102, 104** and a peripheral wall **106**. The rear end **108** of the plunger **88** is open to communicate with the interior of the container **84**.

In this embodiment, the forward end of the plunger **88** includes a needle carrier **110** by which the injection needle **90** is held in spaced alignment with a septum **112** that forms a seal at the forward end of the plunger (FIG. **13**). The septum **112** completely closes the forward end of a passage **114** that extends through the wall of the plunger and communicates with the interior volume of the syringe. The needle carrier **110** may include a pair of longitudinally collapsible, forwardly extending, accordion-like supports **116** that may be biased in a distally extended configuration, by a compression spring **118**. The double-ended needle **90** may be secured to an anchor **122** that can be embedded, together with a portion of the needle, in the needle support **120**. The sharp rear tip of the needle should be non-coring,

and is supported in slightly spaced relation to the forward side of the septum **112**. The sharp rear end of the needle **90** is maintained in spaced relation to the outer surface of the septum **112** by the compression spring **118** that extends between the septum **112** and the needle support **120**. When the needle is in flow communication with the syringe body, the flow passage from the syringe body, into and through the needle should be unobstructed and sufficient to enable rapid delivery of the bolus of the medication. The rear end of the compression spring **124** may be retained in place by a boss **126** formed about the forward face of the septum **112** and adapted to engage the rear end of the compression spring **124**. The forward end of the spring **124** is tapered and bears against the needle support, with the spring surrounding the forward end of the needle **90**.

In this description and in the claims of this specification, the term "syringe" is intended to mean a syringe body adapted to contain injectable medicine in which the body has an interior collapsible volume with a hypodermic needle carried by the syringe body and being connected or connectible to the interior chamber to enable medication to be injected from the container through the needle into the patient. The above definition of "flat" when used to describe the syringe **82** is intended to have the same meaning as that discussed above in connection with the configuration of the housing, namely, as referring to a syringe body containable within a virtual envelope having a length, a width, and a thickness and in which the thickness is substantially less than each of the length and width, with each of the length, width and thickness being measured along directions orthogonally related to the others. Thus, the described arrangement of the syringe **82** may be considered to comprise a flat syringe. Although two specific configurations of flat syringes are described in this specification, it should be understood that other syringe configurations, containable in the flat housing, may be employed in the practice of the invention.

As shown in FIGS. **8**, **11** and **12**, the syringe assembly **34** is restrained in its retracted position by engagement of a pair of latches **128** formed as part of the syringe carrier **76**. Each of the latches **128** extends in a laterally outward direction and engages the detent **44** of one of the fingers **42** of the actuator assembly. Each of the fingers **42** is biased into locked engagement with the latch **128** by a latch spring **130**. The latch spring **130** may include a base portion **132** which is secured in a socket **134** molded into the housing sections **12**, **14**, and a resilient member **136** that extends from the base **132** into engagement with the outwardly facing surface **138** of the finger **42**. The free end **140** of each finger **42** may be beveled, as indicated at **140**. The beveled free end **140** is biased into engagement with a wall **142** that includes a camming surface **144**. The camming surface **144** is oriented with respect to its associated finger **42** to guide the finger **42** to pivot outwardly (clockwise as seen in FIG. **12**) about the hinge **40** as the actuator assembly **32**, including the finger **42**, is moved slightly to a more retracted, proximal position. Such movement, initiated by pressing the forward end of the actuator against the injection site causes the fingers **42** to pivot outwardly, disengaging each detent **44** from its associated latch **128**, and freeing the syringe assembly **34** for forward movement. The syringe assembly is biased for such movement by an injector compression spring **146**. The injector spring **146** is retained, at its rear end, in a socket **148** formed integrally with the housing sections **12**, **14**. The forward end of the spring **146** bears against the upper wall **78** of the syringe assembly **34** where it is held by providing the upper wall with a retention boss or socket **150** engage-

able with the spring **112** (FIG. **8**). The injector spring for some applications, especially those of an emergency nature, should develop enough force to drive the needle through clothing, in addition to tissue.

The injector spring **146** is configured so that with the actuator and syringe assemblies **32**, **34** in the locked configuration (FIG. **8**), the injector spring **112** is capable of a small amount of further longitudinal compression. The extent of additional longitudinal compression should enable the actuator and syringe assemblies **32**, **34** to be retracted sufficiently to withdraw the detents **44** from locked engagement with the latches **128**. When the latches **128** have been released, the syringe assembly **34** is released and is driven immediately and forcefully in a forward direction by the injector spring **146**. The syringe assembly **34** is guided in that movement by engagement of the outer surfaces **152** of its sidewalls **80** with the inner surfaces **74** of the arms **38** of the actuator assembly **32**.

As the syringe assembly **34** is driven forwardly, the sharp, forward tip of the injection needle **90** projects longitudinally through an aperture **154** in the needle shield **36** and beyond the forward end **156** of the needle shield **36**. At this stage in the operation of the device, the forward end **156** remains pressed firmly against the user's skin and the force of the injector spring **146** will drive the needle **90** into the patient's tissue to an intended depth. The selected depth of needle penetration will depend, in part, on the type of medication to be injected and whether it is to be an intramuscular or subcutaneous injection. The depth of needle penetration is determined by the length of the needle and the needle shield as well as location of the needle when its forward advancement is terminated. In this embodiment forward movement of the needle terminates when the needle support **120** engages the rear face **158** of the needle shield **36**. Throughout the advancement of the syringe assembly **34**, the actuator assembly **32** remains locked in place by engagement of the arm locks **50** with the forward sockets **51** in the arms **38** of the actuator assembly **32**.

When the needle **90** has penetrated the tissue to the intended depth, the needle support **120** will have bottomed on the rear face **158** of the needle shield **36** and the needle carrier **110** will begin to collapse, advancing the syringe body, including the septum **112**, toward the rear end of the needle. Continued advancement causes the septum **112** to impale itself on the needle **90**, establishing flow communication between the needle and the interior of the syringe. When the supports **116** have collapsed, the plunger **88** can no longer advance forwardly. The container **84**, however, is free to continue forward advancement sliding over the plunger, under the continued force of the spring **146** and, in so doing, the internal volume of the syringe is compressed, causing ejection of a bolus of medication through the needle into the patient.

Different medications, of course, will require different doses. Additionally, depending on the nature of the medication, it may be desirable for the syringe to contain a greater volume of medication than the actual volume of the dose to be injected. For example, when the medication is epinephrine, (1:1000) an adult dose is considered to be 0.3 ml. The stability of the epinephrine, however, is improved when it is stored in a larger volume of about 2.0 ml. Therefore, the extent to which the internal volume of the syringe can compress may be limited to assure injection only of the desired dose. The volume of the injected dose may be limited by limiting the extent to which the internal volume of the syringe can be compressed. This can be accomplished, for example, by providing an abutment surface **160** inter-



11

nally of the housing. The abutment surface **160** is located to be in alignment with a forwardly facing surface **162** at the end of each of the container carrier sidewalls **80**. When the ends **162** of the sidewalls **80** have engaged the abutment surfaces **160**, forward movement of the container **84** is terminated, thus terminating the ejection stroke. Another approach to limiting the extent to which the syringe volume can be compressed is to dimension the container **84** and plunger **88** so that the rearward face **108** of the plunger bottoms out on the inner face of the rear portion **109** of the peripheral wall of the container **84**.

Throughout the release of the syringe assembly **34** from its locked, restrained position until the time that the bolus of medication has been injected into the patient, the entire device is pressed firmly against the injection site. Throughout the time that the needle begins to protrude from the forward end **156** of the shield **36** until the time that the device is fully withdrawn from the injection site, no portion of the needle is visible or exposed.

As the syringe assembly **34** is driven forwardly by the injector spring **146**, the actuator assembly **32** is restrained from moving forward relative to the housing **10** by engagement of the arm locks **50** with the arms **38**. Engagement of the arm locks **50** with the arms **38** also serves to limit the extent of rearward travel of the actuator assembly during the initial triggering operation, as the forward surface **156** of the shield **36** is pressed against the injection site. As the syringe carrier **76** and syringe **82** approach the end of the injection stroke, the protruding ends **68** of the arm locks **50** are engaged by a portion of the container assembly, such as a portion of the lower ends **160** of the sidewalls **80** of the container carrier **76**, thereby tripping the arm locks **50** to disengage from the arms **38** and permit the actuator assembly **32** to be driven forwardly with respect to the housing **10** under the influence of the side springs **52**. This assures that the forward end **156** of the needle shield **36** will be continually and automatically pressed against the patient's skin as the device is withdrawn from the patient. Consequently, after the injection has been completed, withdrawal of the device from the patient enables the side springs **52** to simultaneously and progressively cause extension of the needle shield **36** to cover and completely contain the needle **90**. The actuator assembly **32** and its needle shield **36** are permitted to move forwardly sufficiently to assure that when the device has been withdrawn to the point that it no longer contacts the skin, the needle is completely covered by the shield **36**.

The outwardly facing surfaces **164** of the needle shield **36** that project beyond the forward end **15** of the housing **10** after the device has been used also provide a wide, flat area receptive to labeling **165** (FIG. 7) or other imprint with sharps biohazard warning symbols **166** (FIG. 8). The biohazard warning symbol **166** preferably is placed on the portion **168** of the more rearward surface of the needle shield that is exposed only when the shield has been extended to its post-injection, needle covering position. In order to assure that the needle shield cannot be inadvertently depressed to expose the needle after the device has been used, another detent aperture **170** is formed in each of the arms **36** rearward of the apertures **51**, to receive and engage the latch **50** when the actuator assembly **32** and needle shield **36** have been projected to fully cover the needle **90**. Thus, once the needle shield **36** has been extended to cover the needle, it is automatically locked in that protective configuration and no further steps are required in order to prevent accidental post-use needle stick.

FIGS. 17-22 illustrate the above-described device in various stages of operation. After the peel-away strip and

12

cover **20** have been removed (FIG. 17) and the needle shield **36** of the actuator assembly **32** has been pressed against the patient's skin (FIG. 18), the syringe carrier will be released from its latched position to be driven distally under the influence of the drive spring **112** with sufficient force to cause the needle to pierce the skin and penetrate the tissue to the intended depth (FIG. 18). When the needle platform **120** abuts the surface **158**, the sharp forward end of the needle will have penetrated the patient's tissue to the intended depth. The continued influence of the drive spring **146** drives the syringe carrier and the syringe, as a unit, forwardly, to cause the septum **112** to impale itself on the sharp rear end of the needle, communicating the lumen of the needle with the medication contained in the syringe. The supports **116** collapse until forward movement of the plunger **84** has terminated. The continued influence of the drive spring **146** will advance the syringe carrier and container **84** forwardly over the then-stationary plunger, collapsing the volume within the syringe and causing a bolus of the medicine to be injected into the patient (FIG. 26). Injection terminates when the compression of the syringe volume is terminated. As the injection stroke approaches its termination the arm locks **50** are tripped. With the actuator assembly arms **38** freed, the actuator assembly will advance forwardly relative to the housing under the influence of the side springs **52**, as the device is withdrawn (FIG. 21). The needle shield **36** will be extended to cover and protect the forward end of the needle, with the arm latches **50** dropping into the rear apertures **170** to lock the actuator assembly **32** and needle shield **36** in the distally extended, needle protecting configuration (FIG. 22). With the needle shield extended in its distal, locked position, the biohazard indicia **166** on the flat faces of the shield are exposed prominently to serve their warning function.

It should be understood that the use of a compact, portable, pre-filled, single use auto-injector is not limited to administration of medicine for treatment of anaphylactic reaction. There are many medical conditions and circumstances that may make desirable a readily available, easily carried, injectable medication that may be administered by oneself or by another person without formal medical training. The medication to be injected may be one serving somewhat of an emergency function, such as administration of epinephrine, morphine, atropine, cardiotoxic medication, anti-seizure medicines as for treatment of status epilepticus, antitoxins, anticoagulants and the like. Other medications deliverable by auto-injector may be more in the nature of convenience, such as administration of anti-migraine medication (e.g., sumatriptan or ergonovine), vaccines, growth hormone, antibiotics, injectable vitamins, and contraceptives, among others. Injectable medications may also include anticholinergic medication (atropine), anti-arrhythmics (e.g., lidocaine, amiodarone), drugs for the treatment of multiple sclerosis (e.g., interferon), cholinomimetics (e.g., neostigmine), anti-nausea and gastrointestinal stimulants (e.g., metoclopramide), diuretics (e.g., furosemide), sedatives and hypnotics (e.g., hydroxyzine), anti-psychotic agents (e.g., haloperidol), analgesics (e.g., morphine), hypocalcemic drugs (e.g., calcitonin), corticosteroids (e.g., methyl prednisolone), anxiolytics (e.g., diazepam), insulin, erythropoietin, colony stimulating factor (e.g., Filgrastim), and anti-vertigo drugs (e.g., dimenhydrinate), anticoagulants (e.g., heparin and low-molecular-weight heparin), antidiuretic hormone, fusion inhibitors (e.g. T-20), monoclonal antibodies and interleukins. Other possible injectable medications will be apparent to those familiar with pharmaceuticals and the indications for their use.

FIGS. 23–29 illustrate another embodiment of the device in which the syringe includes walls that are collapsible in an accordion-like fashion. In this embodiment, the actuator assembly and syringe carrier may be considered as substantially the same as in the previously described embodiment. For convenience, elements in this embodiment that are identical to those in the previously described embodiment will be designated with the same reference numeral. In those instances where the device is essentially the same, but with slight modifications, either apparent from the drawing, or described, the reference numeral will be the same with a prime mark ('). For those components that warrant more detailed description, new reference numerals are used.

It may be noted that in this embodiment, the housing includes a peripheral configuration in which the rear portion is wider than the forward portion. It should be understood that although the previously described embodiment had a housing with peripheral dimensions approximating a rectangle, it may be desirable in some instances to configure the housing so that its rear end is wider or more narrow than its forward end. Indeed, the configuration of the housing may include non-rectangular peripheral geometries that, nonetheless, are flat and are containable within the defined flat virtual envelope.

In this embodiment, the syringe 200 may be considered as having a relatively rigid, shape-retaining rear portion 202 adapted to fit securely within the generally rectangular opening defined by the U-shaped container carrier 76. The rearward portion 202 of the syringe 200 may be provided with a pair of windows 201, 203 on its front and rear surfaces, as by forming the syringe body from a transparent material such as polyethylene terephthalate (PET). The windows are located to be aligned with the windows 24', 26' on the front and rear housing sections 12', 14', when the device is in its retracted configuration (FIG. 25). The syringe may be formed, as by blow molding. The syringe body has a flat configuration, as defined.

The forward portion 204 of the syringe 200, in this exemplary embodiment, is collapsible and may be molded or otherwise formed in a collapsible bellows arrangement. The forward portions of the syringe 200 includes a sufficiently sturdy bottom wall 206 to provide a secure mount for a hypodermic needle 90'. The needle 208 extends longitudinally in a forward direction and terminates in a sharp tip. The medication is pre-loaded and sealed within the syringe body 200 when the device is fabricated so that it is not exposed to the lumen of the injection needle 208 until the device has begun its operation. To that end, a pressure rupturable membrane 210 may be disposed within the syringe 200 over the rear end of the needle 90' (FIG. 26). When, as described below, the pressure within the syringe 200 has increased to a sufficient predetermined level, the membrane 210 will rupture to immediately communicate the interior of the syringe 200 with the lumen of the injection needle 90'. It should be understood that other sealing arrangements may be employed, including arrangements in which the proximal end of the hypodermic needle pierces a sealing septum just before injection is to be completed as described in connection with the previous embodiment.

After the needle 90' has penetrated the tissue to the intended depth, the continued forwardly directed force of the injector spring 146 initiates longitudinal collapse of the syringe 200 and decrease of its internal volume. The rupturable membrane 210 that seals the container will burst when the pressure within the container has reached a predetermined design limit. When the membrane 210 ruptures, communication between the interior of the syringe and the

lumen of the hypodermic needle 90 is established such that continued collapse of the syringe 200 under the influence of the injection spring 146 will force the liquid medication through the needle 90 into the patient. As with the previously described embodiment, the force of the injector spring 146 is selected to be sufficient to cause the desired volume of medication to be injected into the patient in a rapidly delivered bolus. Where the medication to be delivered is such, as with epinephrine, as to require a larger volume to be contained within the syringe, the extent to which the syringe 200 is compressed, can be limited by engagement of the forward end 162 of the syringe carrier 34 with the abutment surface 160 on the actuator assembly 32'.

FIGS. 27–31 illustrate the above-described device in various stages of operation. FIG. 27 illustrates the device when it has been pressed against the patient's thigh to push the actuator assembly rearwardly into the housing 10 to an extent sufficient to release the latch 128' to initiate the needle penetration phase. FIG. 28 illustrates the components of the device when the injection spring 146 has advanced the syringe assembly distally to the point in which the forward end of the syringe body 200 (e.g., the bottom wall 206 of the bellows in this embodiment) is advanced into engagement with the abutment surface 158' of the actuator assembly. At this point, the needle 208 will have been projected beyond the forward end 156' of the needle shield 36' and will have penetrated into the patient's tissue to the predetermined depth and the injector spring 146 and syringe carrier will continue to advance to the stage illustrated in FIG. 29. During the advancement to the FIG. 29 stage, the bellows 204 is compressed, first causing a build-up of pressure within the syringe body sufficient to effect communication with the lumen of the needle 208 and then to forcefully inject the bolus of medication through the needle and into the patient. As the injection progresses under the influence of the injection spring 146, the forward ends of the syringe carrier engages the finger 68 of the latches 50 to urge the latches outwardly, disengaging the fingers from the arms. FIG. 30 illustrates the device after the injection phase has been completed, with the latches 50 having been tripped. When the latches 50 disengage from the arms, the actuator assembly 34 is released and is driven forwardly by the springs 52, causing the rearward portion of the needle shield 36' to project beyond the forward end of the housing. The forward end 156' of the needle shield is maintained in contact with the patient's skin throughout that motion so that the shield progressively covers the needle 208 as the housing 10' is drawn away from the skin. That motion continues until the device has reached the stage as shown in FIG. 31 in which the needle shield 36' has extended fully to completely cover and protect the needle 208. At this stage, the actuator assembly will have advanced forwardly relative to the housing to the point where the latches 50 snap into engagement with the rear sockets 126 on the arms 38. With the latches so re-engaged, the actuator assembly is locked in a position in which the needle shield cannot be urged back into the housing. In this configuration, the rear portion of the shield on which a label bearing the biohazard icon will be exposed, indicating that the device has been used and that it contains a biohazard sharp.

From the foregoing, it will be appreciated that the various aspects and features disclosed may be used in varying combinations, depending on the specifics of the intended application, the medication and the circumstances in which it can be expected to be injected. Among the features described are an auto-injector having a flat housing; an auto-injector having a broad flat surface with easily under-

15

stood pictograms of sufficient size to enhance immediate understanding of the manner of use of the device; an auto-injector for rapid bolus delivery having a flat housing dimensioned to be less bulky and easily carried on one's person; a needle shield for an auto-injector that is of a generally flat configuration to present a broad face adapted to carry a label with indicia evident of a biohazard; an auto-injector with a housing having elastomeric grips embedded with a material to cause the grips to glow in a darkened environment; an auto-injector in which the injection needle and actuation member are located at the same end of the housing of the device and where the actuator also serves as a needle guide and a needle shield; an auto-injector in which the needle is concealed at all times, including before, during or after use; an inherently safe three step method for using an auto-injector that includes breaking a seal, removing a cover and applying the injector to the injection site; as well as all other features described in this specification.

We claim:

1. A device for automatic rapid injection of a bolus of medication comprising:
  - a flat, rigid housing having front and back walls spaced to define the thickness of the housing, the housing having longitudinally disposed forward and rearward ends;
  - a syringe adapted to contain an injectable medication, the syringe including a syringe body having a longitudinally compressible volume to enable a predetermined volume of injectable medication to be forced out of the syringe and an injection needle arranged to communicate with the interior of the syringe body, the flow path from the syringe body and through the needle being dimensioned to permit rapid delivery of the medication, both of the syringe body and the needle being disposed within the housing in a retracted position, the syringe being movable longitudinally as a unit from the retracted position to an injection position in which the needle extends longitudinally beyond the forward end of the housing to penetrate tissue; and
  - at least a portion of the syringe body being movable rapidly and longitudinally, after the needle has been extended to the injection position, to compress the syringe volume by a predetermined volume and eject a bolus corresponding to that predetermined volume.
2. A device as defined in claim 1 wherein the volume defined within the syringe is greater than the predetermined volume of the bolus to be injected.
3. A device as defined in claim 1 wherein the extended length of the needle is intramuscular injection.
4. A device as defined in claim 1 wherein the extended length of the needle is selected to effect a subcutaneous injection.
5. A device as defined in claim 1 further comprising a self-contained power source in the housing for effecting movement of the syringe forwardly to the extended position.
6. A device as defined in claim 5 wherein the power source comprises a spring.
7. A device as defined in claim 6 wherein the spring is substantially compressed when the syringe is in its retracted position.
8. A device as defined in claim 1 wherein the geometry of the syringe body is containable in a flat rectangular envelope that, in turn, is containable within the flat housing.
9. A device as defined in claim 1 further comprising:
  - the interior of the syringe body being sealed from the needle when the device is in its retracted configuration, the seal being adapted to maintain the seal until the syringe has moved to the injection position.

16

10. A device as defined in claim 1 wherein the syringe comprises a collapsible wall.

11. A device as defined in claim 10 wherein the syringe body is flat.

12. A device as defined in claim 10 wherein the collapsible wall comprises a portion of the syringe body being a collapsible bellows.

13. A device as defined in claim 1 wherein the syringe comprises a container having a closed end and an open end, and a plunger closing the open end and being slidable in the container whereby the interior volume of the syringe may be compressed.

14. A device as defined in claim 13 wherein the syringe body is flat.

15. A device as defined in claim 14 wherein the syringe further comprises a relatively rigid container having front and back walls and a peripheral wall extending along the sides and rear end of the container.

16. A device as defined in claim 15 further comprising:

a flow passage in the plunger, the flow passage terminating in a sealed, pierceable septum at the forward end of the plunger; and

a double ended injection needle having a sharp rear end adapted to pierce the septum.

17. A device as defined in claim 16 further comprising:

a collapsible needle support mounted to and extending from the forward region of the plunger, the needle being secured to the needle support with the rear end of the needle in spaced, aligned relation to the septum, the needle support being collapsible in response to engagement of the needle support with an abutment within the housing when the syringe has been advanced to its injection position whereby the septum is impaled on the proximal end of the needle to establish fluid communication between the needle and the interior of the syringe body.

18. A device as defined in claim 5 further comprising a restraint for preventing movement of the syringe beyond its injection position and wherein the self-contained power source first moves the syringe to the injection position and thereafter compresses the syringe volume.

19. A device as defined in claim 5 wherein the needle, in its injection position, projects beyond the forward end of the housing, the device further comprising an actuator movably mounted in the housing and having a portion extending from the forward end of the housing, the actuator being adapted to enable operation of the power source to move the syringe forwardly in response to pressing of the forwardly extending portion of the actuator against an injection site.

20. A device as defined in claim 19 wherein the actuator comprises a portion of an actuator assembly, the actuator assembly comprising:

a forward portion that includes the actuator;

a pair of arms extending rearwardly from the actuator and being contained within the housing, the rear ends of the arms having a latch component operatively associated with the syringe for maintaining the syringe in its retracted position;

the actuator assembly being movable rearwardly in relation to the housing, the latch component being responsive to such relative rearward movement to unlatch the syringe, thereby enabling the power source to effect movement of the syringe to the injection position and to compress the syringe volume.

17

21. A device as defined in claim 20 wherein the latch component comprises:

a finger pivotably attached to the rear ends of each arm, each finger being pivotable in a laterally outward direction;

the housing having internal guide surfaces engageable with the fingers and oriented to guide the fingers in said pivotal movement in response to rearward movement of the actuator assembly, the latching components comprising detent surfaces on the fingers that release the syringe for movement to an injection position.

22. A device as defined in claim 20 wherein the syringe is attached to a syringe carrier, for movement within the syringe, the carrier being in engagement with the power source;

the carrier having a latch component releasably engageable by the latch component of the actuating assembly when the device in its storage configuration; and

guide surfaces disposed within the housing and engageable with the syringe carrier to guide the carrier from its retracted position to its injection position.

23. A device as defined in claim 22 further comprising a detent mounted in the housing and engageable with the actuator assembly to releasably maintain the actuator assembly in its storage position;

the detent being engageable with the syringe carrier, as the syringe carrier advances to the injection position, to release the detent and permit movement of the actuator assembly; and

means for biasing the actuator assembly in a forward direction whereby upon release of the detent, the actuator assembly may move forwardly in the housing to cause additional forward extension of the actuator with respect to the housing.

24. A device as defined in claim 23 wherein the forwardly extending portion of the actuator has sufficient length to extend beyond and completely enclose the forward tip of the needle.

25. A device as defined in claim 24 further comprising the detent being constructed to reengage the actuator assembly when the actuator has advanced to its fully extended position, thereby locking the actuator in its needle enclosing position.

26. A device as defined in claim 1 wherein the housing has front and back faces and further comprising at least one of the front and back face having graphic indicia in the form of a pictogram illustrating instruction for use of the device.

27. A device as defined in claim 1 wherein the housing has the front and back faces and where at least one of the faces of the housing has a window, the syringe body having a portion sufficiently transmissive to light so that when the syringe is in the retracted position, the light transmissive portion of the syringe is in registry with the window to enable observation of at least some characteristics of the contents of the syringe.

28. A device as defined in claim 1 further comprising a cover detachably connected to the housing and covering the region from which the needle projects from the housing.

29. A device as defined in claim 28 further comprising a seal extending between the cover and the housing.

30. A device as defined in claim 29 wherein the cover has a rearwardly facing opening adapted to receive the forward end of the housing in a snap-fit.

31. A device as defined in claim 30 wherein the snap fit connection further comprises:

the housing having a circumferential groove formed in its forward region;

18

the portion of the cover that defines its open end comprising a peel-away strip connected to the cover by a thin, manually tearable connector, the peel-away strip having an inwardly directed latch member engageable in a snap-fit with the circumferential groove, the engagement between the latching member and the groove being constructed to require peeling away of the strip to permit removal of the cover.

32. A device as defined in claim 31 wherein the absence of the peel-away strip may serve as a tamper-evident indication.

33. A device as defined in claim 1 in which the housing has a length in the range of about 2.8 to about 3.8 inches, a width in the range of about 1.7 to about 3.5 inches and a thickness in the range of about 0.20 to about 0.75 inch.

34. A device as defined in claim 1 in which the body of the syringe is flat and is contained within the housing.

35. A device as defined in claim 1 further comprising:

a needle shield movably mounted with respect to the housing from a storage position to an extended position in which the shield completely covers the needle in an injection position, the needle shield being flat and having biohazard indicia imprinted thereon, the biohazard indicia being concealed within the housing when the device is in its storage configuration and being exposed exteriorly of the housing when the needle shield is in its extended needle-covering position.

36. A device as defined in claim 1 further comprising:

an actuator movably mounted within the housing and having a forward portion that projects forwardly beyond the forward end of the housing, the actuator being operatively coupled with the power source within the housing to trigger movement of the syringe to an injection position and cause injection of medication;

the forward portion of the actuator having an appearance that contrasts with the appearance of the housing as to provide prominent distinguishing identification of the forward tip of the actuator while the device is in its retracted position.

37. A device as defined in claim 36 further comprising a cover attached to and covering the forward region of the housing, at least a portion of the cover being transparent to enable the forward tip of the actuator to be viewed.

38. A device as defined in claim 36 further comprising:

the actuator being movable to a fully extended position to expose a rearward portion of the actuator, beyond the forward end of the housing, the rearward portion having a biohazard sharp warning thereon;

the actuator, when in its fully extended position, extending beyond the forward end of the needle to cover the needle.

39. A device as defined in claim 38 further comprising:

means biasing the actuating member to its fully extended position.

40. A device as defined in claim 19 wherein the actuating member has a generally flat face and has a longitudinally extending passage in alignment with the injection needle, the actuating member being supported for longitudinal movement in a forward direction, sufficient to completely shield the forward portion of the needle when the needle is in its injection position.

41. A device as defined in claim 40 further comprising indicia on the flat face of the actuating member, the indicia being concealed normally within the housing before the device has effected injection and being exposed externally of

**19**

the housing after the injection has been completed and the actuating member has been extended to cover the needle.

**42.** A device as defined in claim **1** further comprising:  
an injectable medication contained within the syringe.

**43.** A device as defined in claim **42** wherein the injectable medication is selected from the group consisting of anticholinergic medication, anti-arrhythmics, drugs for the treatment of multiple sclerosis, cholinomimetics, anti-nausea and gastrointestinal stimulants, diuretics, sedatives and hypnotics, anti-psychotic agents, analgesics, anti-migraine medication, hypocalcemic drugs, corticosteroids, anti-anxiety and anti-vertigo drugs, vaccines, antibiotics,

**20**

antitoxins, contraceptives, anticoagulants, insulin, anti-seizure medications, growth hormone, anti-diuretic hormone, injectable vitamins, erythropoietin, interleukens, colony stimulating factor, monoclonal antibodies and fusion inhibitors.

**44.** A device as defined in claim **42** wherein the medication comprises epinephrine.

**45.** A device as defined in claim **1** wherein the housing has a substantially card-like shape.

\* \* \* \* \*